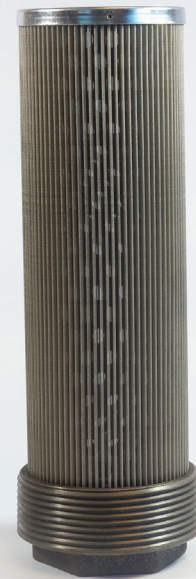
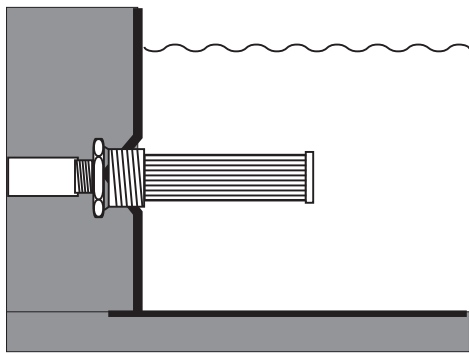


## Tank Mounted Strainers

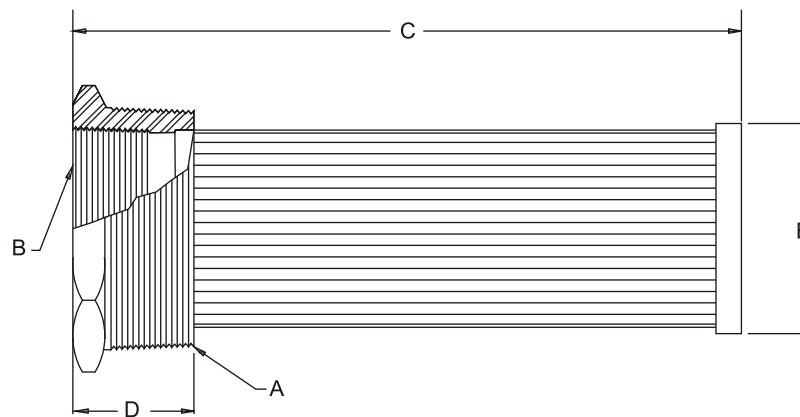
### SPECIFICATIONS

- No by-pass.
- Perforated steel support tubes.
- Temperatures to +250°F (+120°C).
- 100 Mesh stainless steel plated elements.
- 5 PSI by-pass special order.
- Designed for ease of servicing.  
Access to tank interior is not necessary.
- Mount through sidewall or through tank top and into a standpipe.



**TMS SERIES**

### ORDERING INFORMATION



Part #	GPM Rating	A	B	C	D	E	Screen Area (in <sup>2</sup> )
TMS-3	3	3/4" NPT	3/8" NPT	4.00	0.97	0.87	28.70
TMS-5	5	1" NPT	1/2" NPT	5.34	1.06	1.03	35.00
TMS-10	10	1 1/4" NPT	3/4" NPT	8.17	1.10	1.36	64.00
TMS-15	15	1 1/2" NPT	1" NPT	8.20	1.30	1.62	86.00
TMS-25	25	2" NPT	1 1/4" NPT	9.04	1.30	2.12	125.00
TMS-50	50	3" NPT	2" NPT	9.70	1.70	3.00	260.00
TMS-100	100	4" NPT	3" NPT	11.30	1.80	4.00	315.00

Units: inches