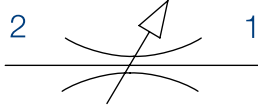


Bidirectional flow control valves



NNV-NPTF



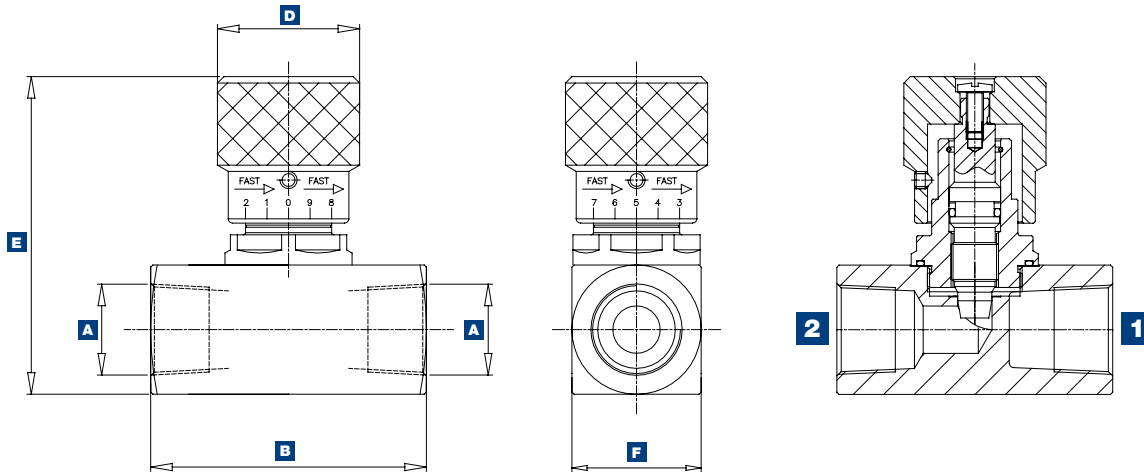
SPECIFICATIONS

Fluid viscosity	45 to 2000 ssu (6 to 420 cSt)
Filtration	SAE class 4 or better
Fluid temperature	-4°F to 176°F
Ambient temperature	-4°F to 122°F

MATERIALS

Valve body-setting fitting	High resistance steel CF39SMnPb36 (EN10087)
Setting knob	Aluminium P-AlCu5.5PbBi (UNI 90002/5)
Setting spool	High resistance steel CF35SMnPb10 (EN10087)
O-ring	NBR 70 Sh
External treatment	Zinc plating FeZn8c1A (UNI 2081)

DIMENSIONS & TECHNICAL PERFORMANCE



Code	A	Max flow	Max pressure	B	D	E	F	Approx. wt.
NNV-1/4"-NPT	NPTF 1/4	4 gpm	5800 PSI	2.13"	1.18"	2.68"	0.98"	0.71 lb
NNV-3/8"-NPT	NPTF 3/8	8 gpm	5800 PSI	2.13"	1.18"	2.68"	0.98"	0.66 lb
NNV-1/2"-NPT	NPTF 1/2	13 gpm	5800 PSI	2.52"	1.30"	2.84"	1.18"	1.03 lb
NNV-3/4"-NPT	NPTF 3/4	21 gpm	5800 PSI	3.19"	1.65"	3.70"	1.57"	2.31 lb
NNV-1"-NPT	NPTF 1	40 gpm	5800 PSI	4.02"	1.65"	3.90"	1.77"	2.95 lb
NNV-1-1/4"-NPT	NPTF 1-1/4	50 gpm	4000 PSI	4.02"	2.08"	4.78"	2.16"	5.21 lb
NNV-1-1/2"-NPT	NPTF 1-1/2	80 gpm	4000 PSI	4.02"	2.08"	5.17"	2.55"	6.60 lb

PRESSURE DROPS

