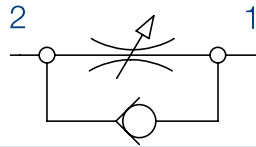


# Unidirectional flow control valves



**NFC-NPTF**



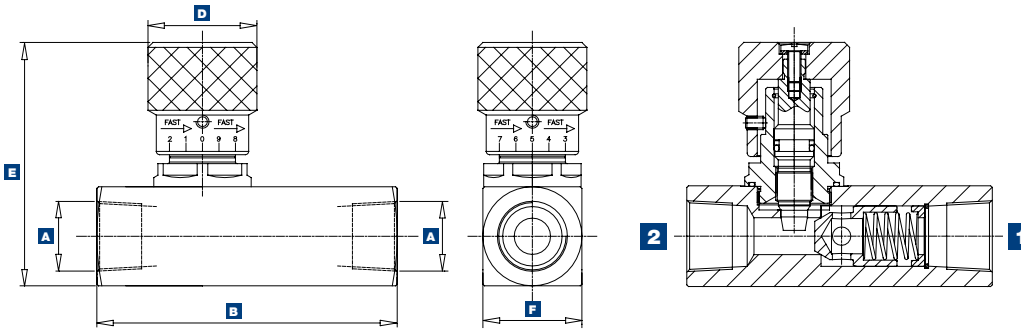
## SPECIFICATIONS

Fluid viscosity	45 to 2000 ssu (6 to 420 cSt)
Filtration	SAE class 4 or better
Fluid temperature	-4°F to 176°F
Ambient temperature	-4°F to 122°F

## MATERIALS

Valve body-setting fitting-thread/ring	High resistance steel CF39SMnPb36 (EN10087)
Setting knob	Aluminium P-AlCu5.5PbBi (UNI 90002/5)
Setting spool	High resistance steel CF35SMnPb10 (EN10087)
Poppet	High resistance steel 16CrNi4Pb ( EN10084) - Hardened (UNI5381) and ground
Spring	High resistance steel Oteva 70 (EN10270/2)
O-ring	NBR 70 Sh
Elastic ring	UNI 7437
External treatment	Zinc plating FeZn8c1A (UNI 2081)

## DIMENSIONS & TECHNICAL PERFORMANCE



Code	A	Max flow	Max pressure	B	D	E	F	Approx. wt.
NFC-1/4"-NPT	NPTF 1/4	4 gpm	5800 PSI	2.60"	1.18"	2.68"	0.98"	0.75 lb
NFC-3/8"-NPT	NPTF 3/8	8 gpm	5800 PSI	3.03"	1.18"	2.68"	0.98"	0.90 lb
NFC-1/2"-NPT	NPTF 1/2	13 gpm	5800 PSI	3.58"	1.30"	2.83"	1.18"	1.32 lb
NFC-3/4"-NPT	NPTF 3/4	21 gpm	5800 PSI	4.43"	1.65"	3.70"	1.57"	3.09 lb
NFC-1"-NPT	NPTF 1	40 gpm	5800 PSI	5.55"	1.65"	3.90"	1.77"	4.20 lb
NFC-1-1/4"-NPT	NPTF 1-1/4	50 gpm	4000 PSI	6.10"	2.08"	4.78"	2.16"	6.73 lb
NFC-1-1/2"-NPT	NPTF 1-1/2	80 gpm	4000 PSI	6.61"	2.08"	5.17"	2.55"	10.00 lb

## PRESSURE DROPS

