

## 2-Way High Pressure Ball Valves

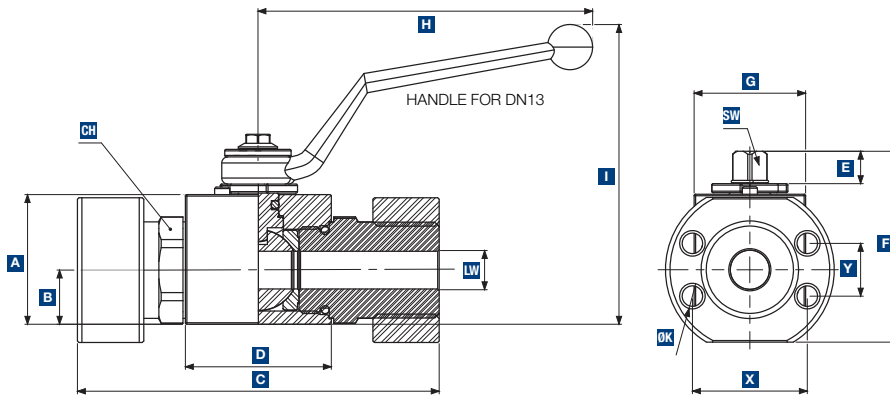


### GEF / GBF

### SPECIFICATIONS

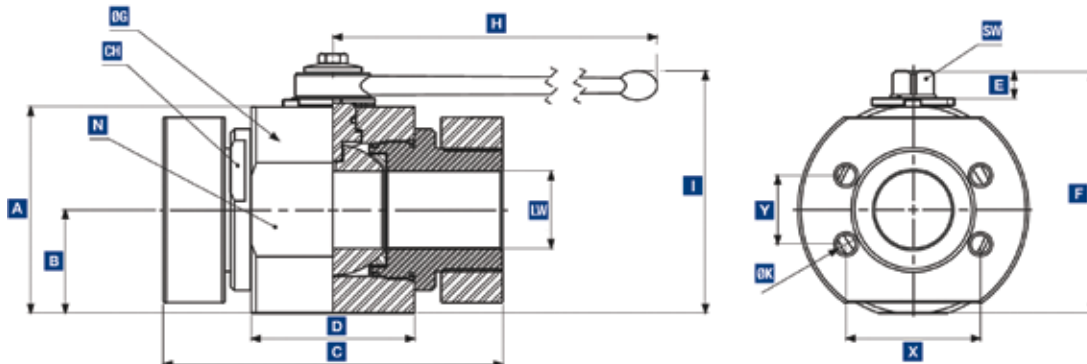
Body	Carbon steel
Ball	Carbon steel
Temperature Range	-4°F to 212°F
	(depending on seal material selected)
Ball Seats	Delrin (Standard); POM, PEEK PA612, GEMPTFE, PTFE (Optional)
O-Rings	NBR, FKM, EPDM, MVQ

### GEF DIMENSIONS



Model	PN	A	B	C	D	E	F	G	H	I	CH	X	Y	ØK	SW	LW	Weight
GEF-3 DN13 1/2"	5000 Psi	1.69"	0.71"	4.72"	1.91"	0.43"	2.24"	1.46"	4.33"	3.92"	1.26"	1.5"	0.69"	5/16-18 UNC	0.35"	0.51"	3.40 lb
GEF-3 DN20 3/4"	5000 Psi	2.17"	0.92"	5.35"	2.46"	0.55"	2.89"	1.77"	7.09"	4.19"	1.61"	1.87"	0.87"	3/8-16 UNC	0.55"	0.79"	5.75 lb
GEF-3 DN25 1"	5000 Psi	2.56"	1.16"	5.83"	2.62"	0.55"	3.29"	2.17"	7.09"	4.59"	1.97"	2.13"	1.03"	3/8-16 UNC	0.55"	0.98"	8.58 lb
GEF-6 DN13 1/2"	6000 Psi	1.69"	0.71"	4.72"	1.91"	0.43"	2.24"	1.46"	4.33"	3.92"	1.26"	1.59"	0.72"	5/16-18 UNC	0.35"	0.51"	3.40 lb
GEF-6 DN20 3/4"	5800 Psi	2.17"	0.92"	5.35"	2.46"	0.55"	2.89"	1.77"	7.09"	4.19"	1.61"	2"	0.94"	5/16-18 UNC	0.55"	0.79"	5.75 lb
GEF-6 DN25 1"	5000 Psi	2.56"	1.16"	5.83"	2.62"	0.55"	3.29"	2.17"	7.09"	4.59"	1.97"	2.25"	1.09"	7/16-14 UNC	0.55"	0.98"	8.58 lb

### GBF DIMENSIONS



Model	PN	A	B	C	D	E	F	ØG	H	I	N	X	Y	ØK	CH	SW	LW	Weight
GBF-3 DN32 1-1/4"	4000 Psi	3.66"	1.83"	6.77"	2.95"	0.53"	4.39"	3.86"	11.81"	4.74"	3.23"	2.31"	1.19"	7/16-14 UNC	2.36"	0.67"	1.26"	17.86 lb
GBF-3 DN40 1-1/2"	3000 Psi	4.21"	2.11"	6.95"	3.35"	0.53"	4.94"	4.45"	11.81"	5.30"	4.02"	2.75"	1.41"	1/2-13 UNC	2.95"	0.67"	1.57"	24.56 lb
GBF-3 DN 50 2"	3000 Psi	4.49"	2.24"	7.72"	3.86"	0.53"	5.22"	4.84"	11.81"	5.57"	4.65"	3.06"	1.69"	1/2-13 UNC	3.35"	0.67"	1.97"	33.83 lb
GBF-6 DN32 1-1/4"	5000 Psi	3.66"	1.83"	6.77"	2.95"	0.53"	4.39"	3.86"	11.81"	4.74"	3.23"	2.63"	1.25"	1/2-13 UNC	2.36"	0.67"	1.26"	17.86 lb
GBF-6 DN40 1-1/2"	5000 Psi	4.21"	2.11"	6.95"	3.35"	0.53"	4.94"	4.45"	11.81"	5.30"	4.02"	3.13"	1.44"	5/8-11 UNC	2.95"	0.67"	1.57"	24.56 lb
GBF-6 DN 50 2"	5000 Psi	4.49"	2.24"	7.72"	3.86"	0.53"	5.22"	4.84"	11.81"	5.57"	4.65"	3.81"	1.75"	3/4-10 UNC	3.35"	0.67"	1.97"	33.83 lb