

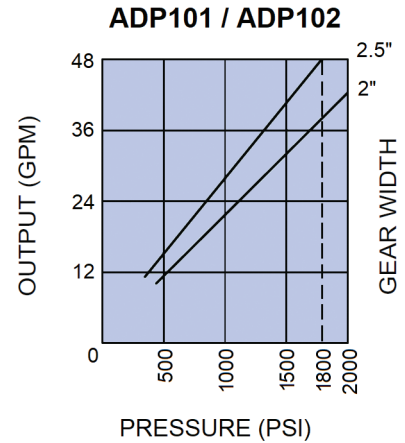
DESCRIPTION

Anfield dump pump/valve products offer the right flow range for most applications at 1800 rpm/2000 psi. Models with two shafts (ADP101) can be mounted to remote PTO's operating in either direction of rotation. Single shaft units (ADP102) mount directly to the vehicle drive train. All can be connected in two- or three-line circuits to control single-acting cylinders. All units are supplied with factory-set 2500 psi relief valves.

FEATURES

- 39 & 48 gpm @ 1800 rpm
- Pressures to 2500 psi
- Speeds to 2400 rpm
- 2- or 3-line installations
- Choice of mountings
- Air remote operators available
- Relief valve protects pump & cylinder

PRESSURE FLOW CURVE

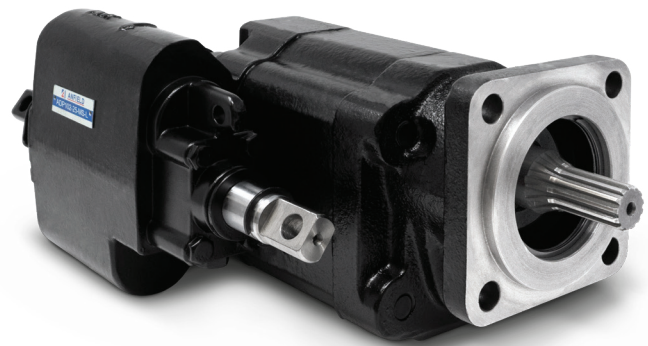


ADP101



Remote Mount

ADP102



Direct Mount

Anfield Model	Gear Width (in)	Displacement		Pressure psi (bar)		Speed (r/min)		Input Power (Kw)	Features	Inlet Port	Cylinder Port	Return Port	Weight lbs (kg)
		cc/rev	in ³ /rev	Rated	Peak	Min	Max						
ADP101-20-MS ADP101-20-AS	2	85	5.18	2500 (173)	3000 (210)	600	2400	78	Remote Mount (Dual Shaft)	1-1/4" NPT	1" NPT	1" NPT	66 (30)
ADP101-25-MS ADP101-25-AS	2-1/2	105	6.40	2500 (173)	3000 (210)	600	2400	89	Remote Mount (Dual Shaft)	1-1/4" NPT	1" NPT	1" NPT	69 (31.3)
ADP102-20-MS-L ADP102-20-AS-L	2	85	5.18	2500 (173)	3000 (210)	600	2400	78	Direct Mount (Single Shaft)	1-1/4" NPT	1" NPT	1" NPT	68 (30.8)
ADP102-25-MS-L ADP102-25-AS-L	2-1/2	105	6.40	2500 (173)	3000 (210)	600	2400	89	Direct Mount (Single Shaft)	1-1/4" NPT	1" NPT	1" NPT	71 (32.2)

* MS = Manual Shift, AS = Air Shift

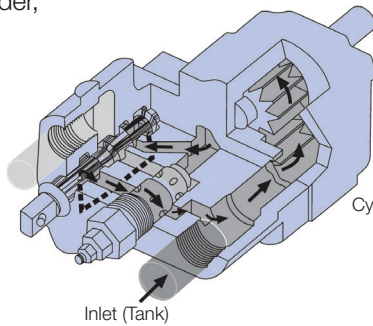
** ADP101 (remote mount) - can be field set to either direction of rotation.

*** ADP102 (direct mount) - (L) Left hand rotation (standard)
- (R) Right hand rotation

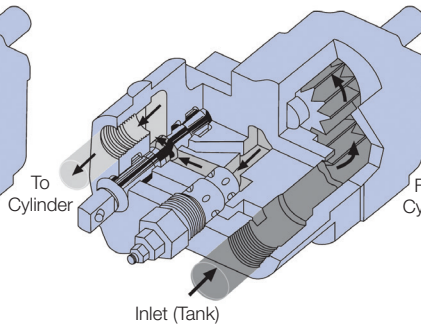
ADP101/ADP102 Installation

2-LINE INSTALLATION (For intermittent operation)

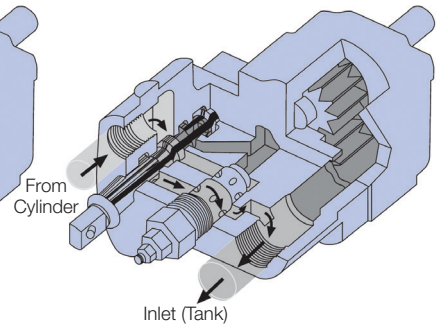
- One line to cylinder, one line to the reservoir. For intermittent operation only.



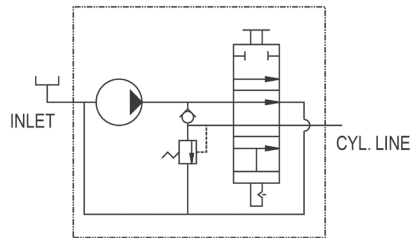
Spool in Neutral:
Oil recirculates internally.



Raise Position:
Oil is routed through work port to raise the cylinder.



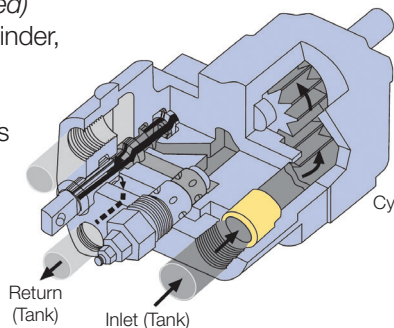
Lower Position:
Oil flows from the cylinder through the relief valve to return to the tank.



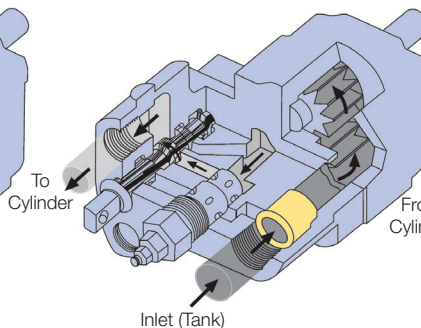
- ADP101/ADP102 2-line Installation**
For intermittent operation.

3-LINE INSTALLATION (For continuous or intermittent operation)

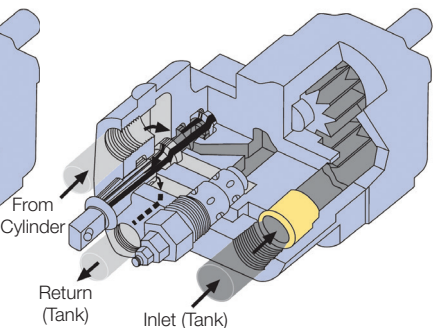
- (Recommended)
One line to cylinder, two lines to the reservoir. For continuous or intermittent operation.



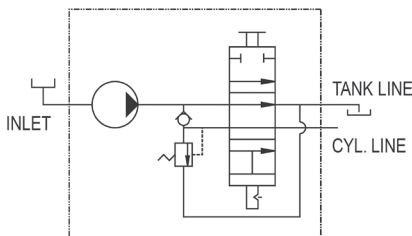
Spool in Neutral:
Oil circulates through the pump and returns to the tank.



Raise Position:
Oil is routed through work port to raise the cylinder.



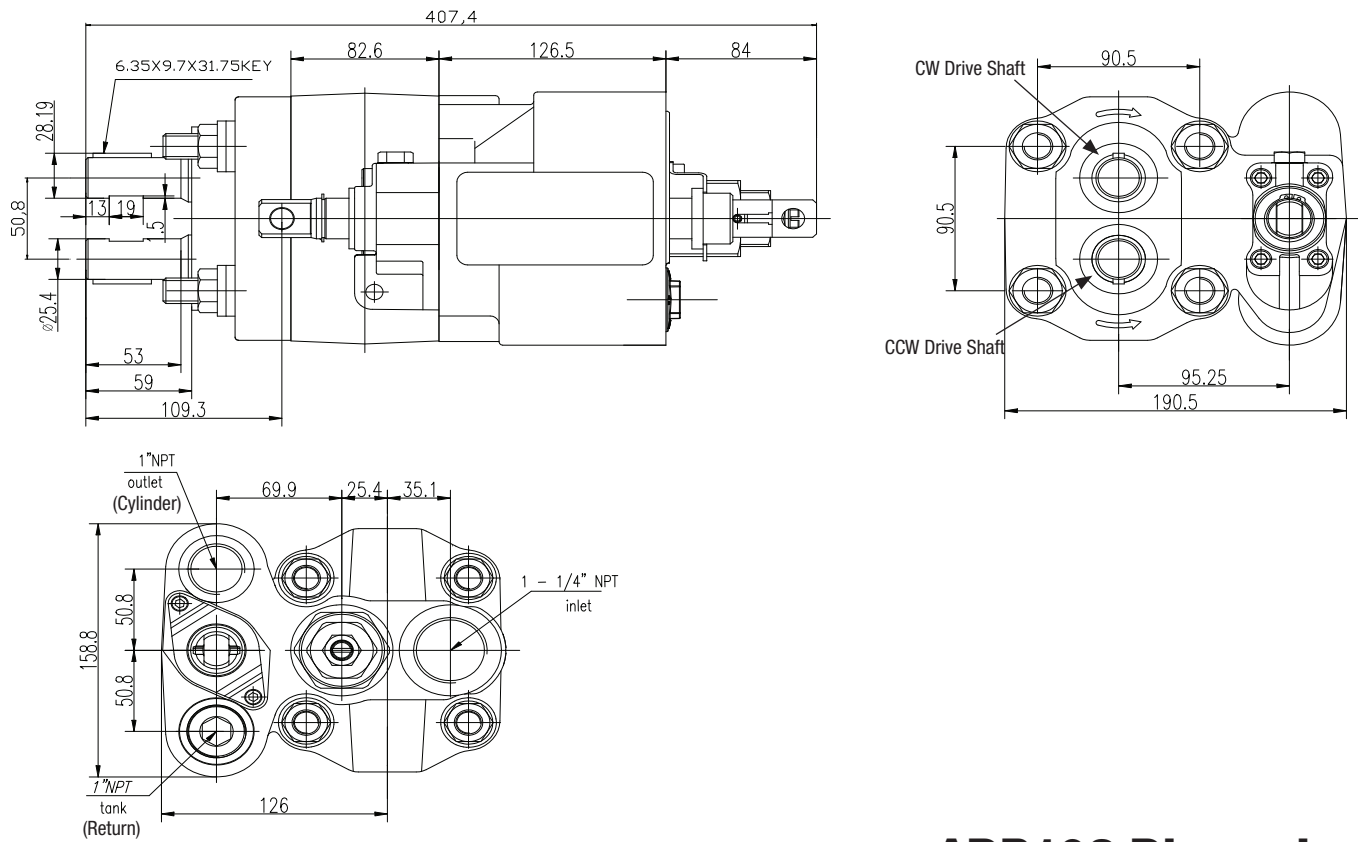
Lower Position:
Oil flows from the cylinder, through the bottom port, and returns to the tank.



* Sleeve (indicated in yellow) is supplied in the box and should be installed inside the inlet port for 3-line installation.

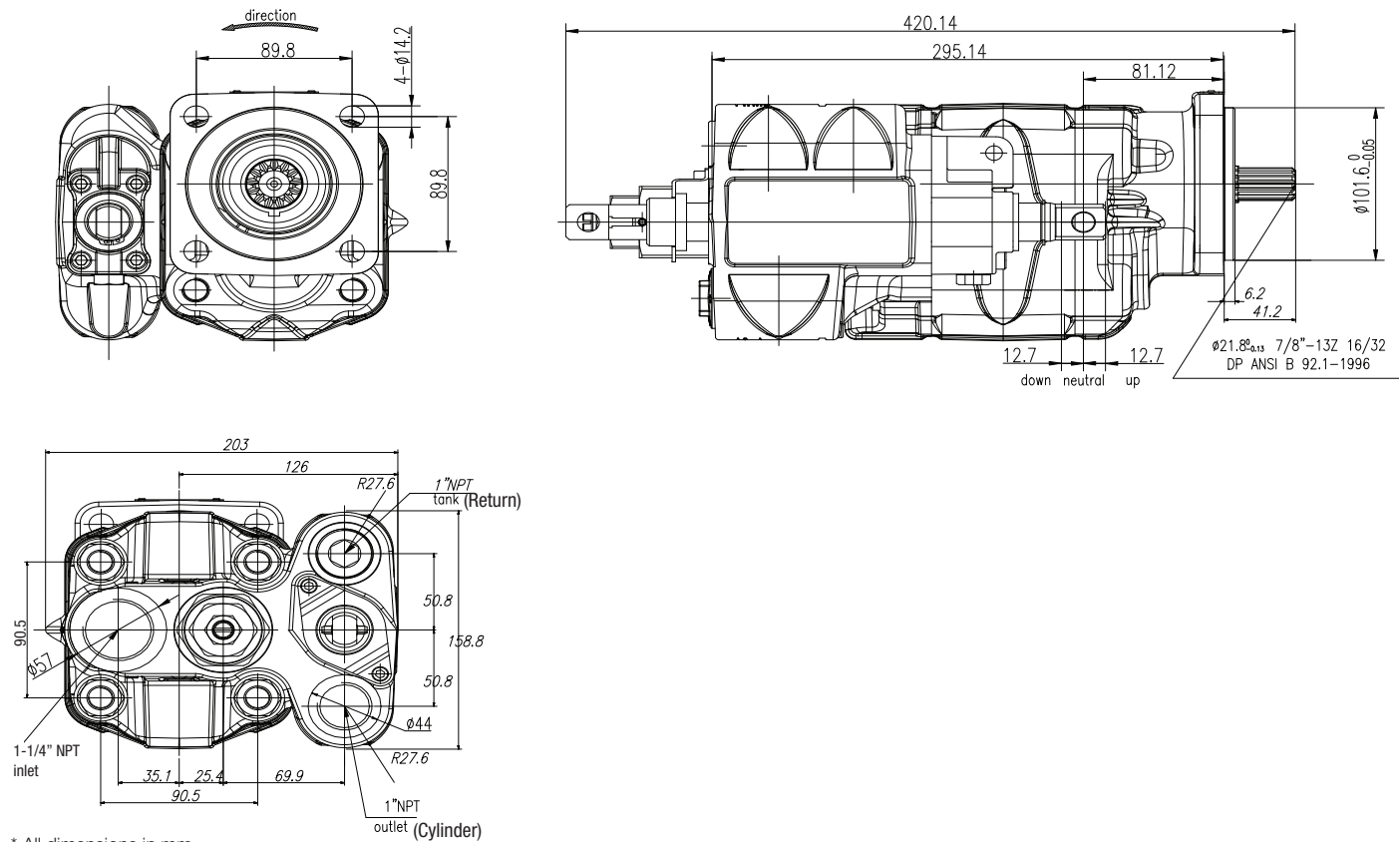
- ADP101/ADP102 3-line Installation**
For continuous or intermittent operation.

ADP101 Dimensions



* All dimensions in mm.

ADP102 Dimensions



* All dimensions in mm.