



AV10 & AV20 - Single Pump

Features



The AV10 & AV20 series single vane pumps are excellent for medium to low pressure mobile and industrial applications. The hydraulic balancing structure and design provides more stable performance and a longer life span by minimizing the pressure on the stator from the vane. This is achieved by incorporating diametrically opposed inlet and outlet pressure chambers. The 12 vane system provides low amplitude flow pulsation for quiet operation, ideal for industrial applications. Different outlet position options allow flexibility in various applications.

Technical Data - Operating Specifications							
Model Series	Delivery (gpm) at 1200 r/min 7 bar (100 psi)	Displacement		Max Speed	Max Pressure		Weight kg (lbs)
		cm ³ /rev	in ³ /rev	r/min	bar	psi	
AV10	1	3.3	0.20	4800	172	2500	4.5 - 6.8 (10 - 15)
	2	6.6	0.40	4500	172	2500	
	3	9.8	0.60	4000	172	2500	
	4	13.1	0.80	3400	172	2500	
	5	16.4	1.00	3200	172	2500	
	6	19.5	1.19	3000	152	2200	
	7	22.8	1.39	2800	138	2000	
AV20	6	19.5	1.19	3400	172	2500	7.3 - 8.2 (16 - 18)
	7	22.8	1.39	3000	172	2500	
	8	26.6	1.62	2800	172	2500	
	9	29.7	1.81	2800	172	2500	
	10	30.0	1.83	2800	172	2500	
	11	36.4	2.22	2500	172	2500	
	12	39.0	2.38	2400	152	2200	
13	42.5	2.59	2400	152	2200		

Ordering Information



AV10		P	1	P	1	C	22	R
1	2	3	4	5	6	7	8	9

1. Model Series	
	AV10
	AV20

2. Mounting	
Omit	2 Bolt Flange (Standard)

3. Inlet Port Connection		
	AV10	AV20
P	1" NPT	1-1/4" NPT
S	1-5/16-12 UN-2B	1-5/8-12 UN-2B

4. Displacement (gpm) At 1200 rpm & 100 psi		
	AV10	AV20
	1	6
	2	7
	3	8
	4	9
	5	10
	6	11
	7	12
		13

5. Outlet Port Connections		
	AV10	AV20
P	1/2" NPT	3/4" NPT
S	3/4-16 UNF-2B	1-1/16-12 UN-2B

6. Shaft Type	
1	Straight Keyed (Standard)
11	Splined

7. Outlet Port Position (Viewed from the cover end of the pump)	
A	Opposite Inlet
B	90° CCW from Inlet
C	Inline With Inlet (Standard)
D	90° CW from Inlet

8. Design Number	
22	Standard

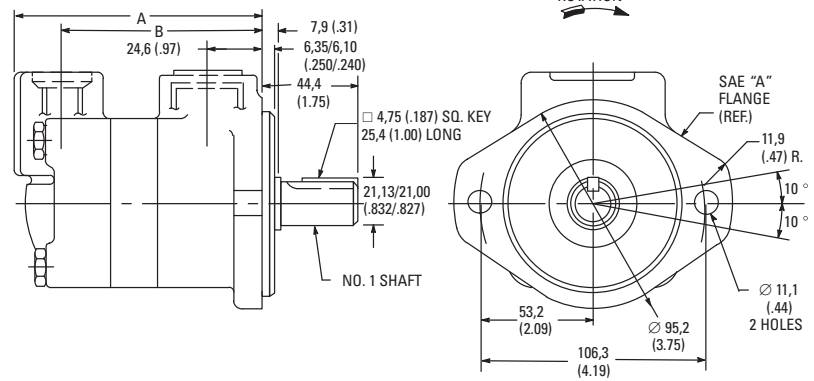
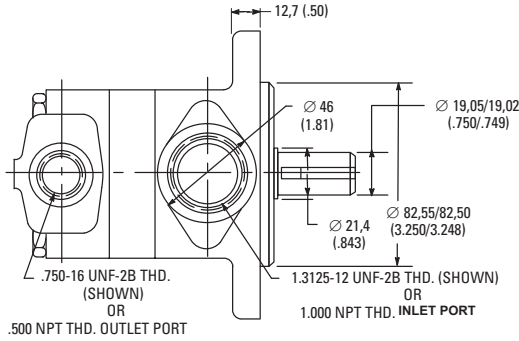
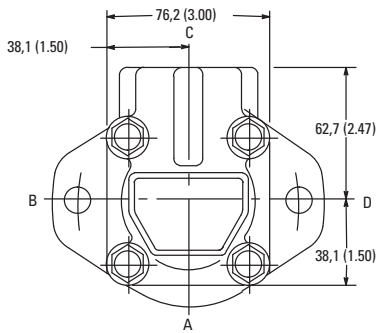
9. Rotation (View from shaft end of Pump)	
R	Right Hand Rotation
L	Left Hand Rotation

10. Seals	
Omit	Nitrile (Standard)
3	Viton

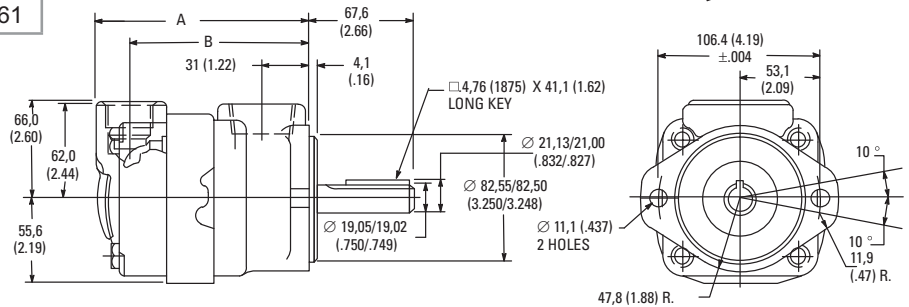
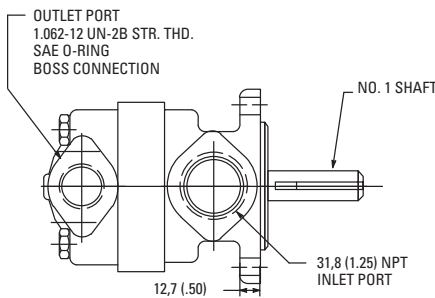
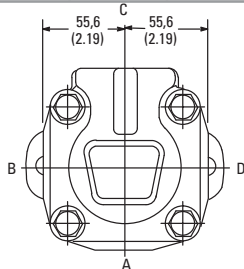


Installation Dimensions

AV10				
Delivery at 1200 rpm & 100 psi	Dimensions			
	A		B	
	mm	in	mm	in
1 USgpm	115.6	4.55	91.9	3.62
2 USgpm	115.6	4.55	91.9	3.62
3 USgpm	115.6	4.55	91.9	3.62
4 USgpm	121.9	4.80	98.3	3.87
5 USgpm	121.9	4.80	98.3	3.87
6 USgpm	127.0	5.00	103.4	4.07
7 USgpm	127.0	5.00	103.4	4.07



AV20				
Delivery at 1200 rpm & 100 psi	Dimensions			
	A		B	
	mm	in	mm	in
6 USgpm	125.2	4.93	102.1	4.02
7 USgpm	131.6	5.18	108.4	4.27
8 USgpm	131.6	5.18	108.4	4.27
9 USgpm	131.6	5.18	108.4	4.27
10 USgpm	136.6	5.38	113.5	4.47
11 USgpm	136.6	5.38	113.5	4.47
12 USgpm	140.2	5.52	117.1	4.61
13 USgpm	140.2	5.52	117.1	4.61

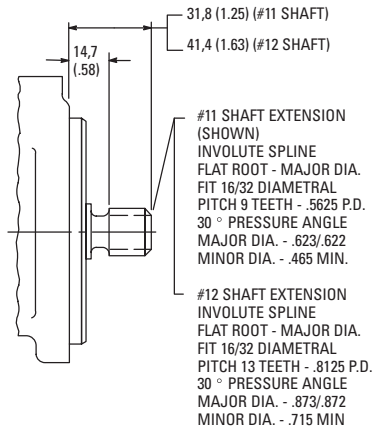


Dimensions in millimeters (inches)



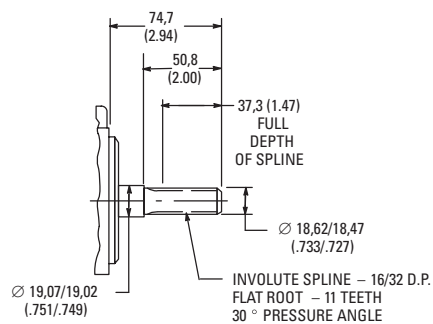
AV10 Series

#11 - Splined Shaft

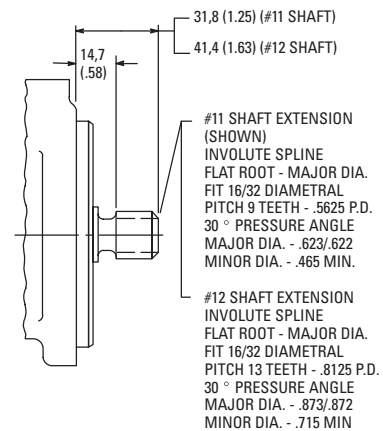


AV20 Series

#11 - Splined Shaft



#62 - Splined Shaft



Dimensions in millimeters (inches)