



AT6EDCS

FEATURES

- SAE D frame size triple vane pump
- Front section flow rates from 198 L/m through 340 L/m
- Second section flow rates from 71 L/m through 237 L/m
- Third section flow rates from 16 L/m through 150 L/m
- Multiple inlet/outlet mounting combinations for ease of installation.
- Common SAE 4 bolt suction flange/ triple SAE 4 bolt outlet pressure flange



OPERATING CHARACTERISTICS

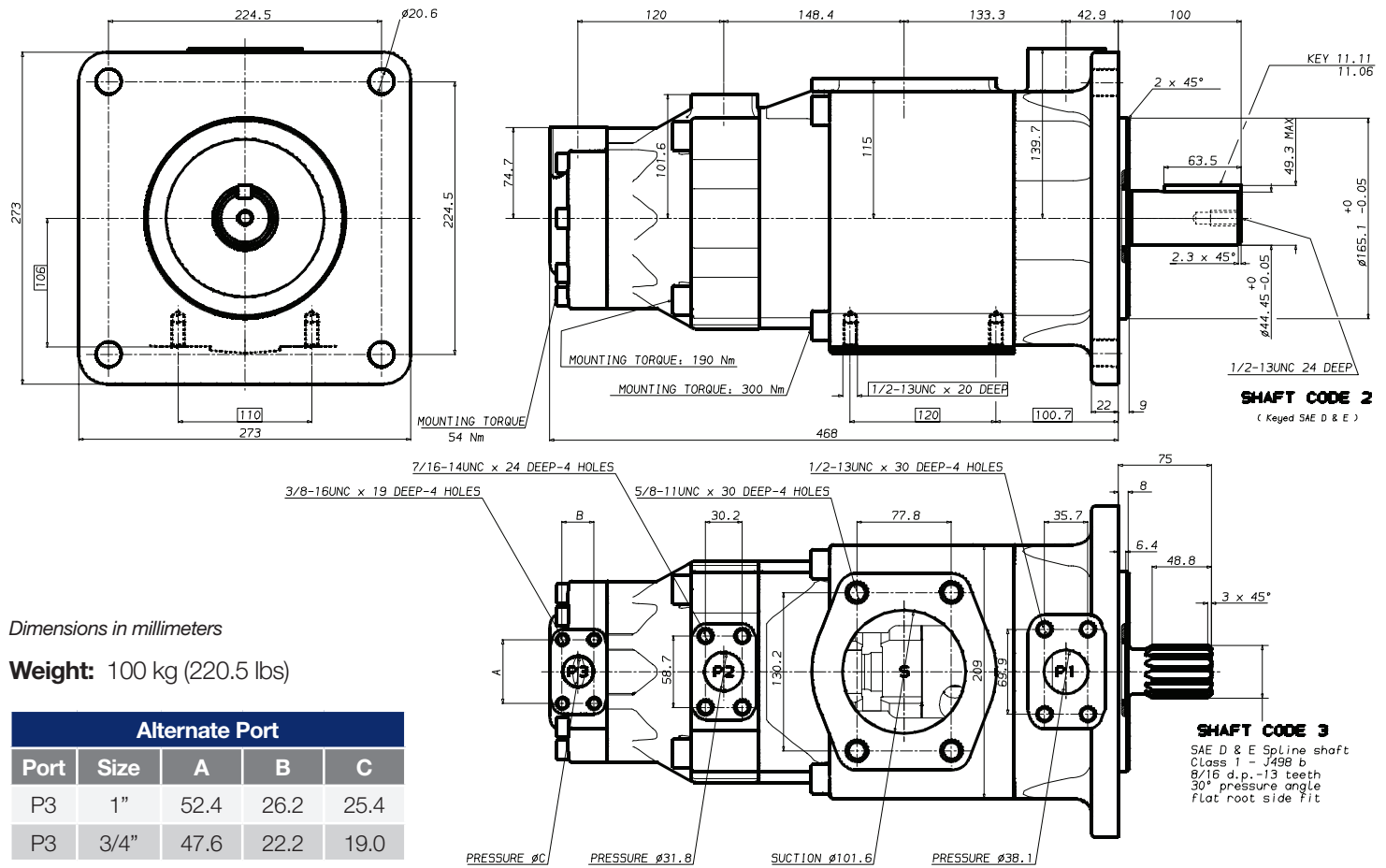
Pressure Port	Model	Volumetric Displacement Vp	Flow qv _e [l/min] & n = 1500 RPM			Input power P[kW]		
		cc	p = 0 bar	p = 140 bar	p = 240 bar	p = 7 bar	p = 140 bar	p = 240 bar
P1	B42	132.3	198.5	188.5	181.3	5.2	49.4	82.6
	B45	142.4	213.6	203.6	196.5	5.4	52.9	88.7
	B50	158.5	237.7	227.7	220.6	5.7	58.5	98.3
	B52	164.8	247.2	237.2	230.1	5.8	60.8	102.1
	B62	196.7	295.0	285.0	277.9	6.4	71.9	121.3
	B66	213.3	319.9	309.9	302.8	6.7	77.7	131.2
	B72	227.1	340.6	330.6	323.5	6.9	82.6	139.5
P2	B14	47.6	71.4	62.1	55.9	2.3	18.5	30.6
	B17	58.2	87.3	78.0	71.8	2.5	22.2	37.0
	B20	66.0	99.0	89.7	83.5	2.8	24.9	41.7
	B24	79.5	119.3	110.0	103.8	3.0	29.6	49.8
	B28	89.7	134.5	125.2	119.0	3.2	33.2	55.9
	B31	98.3	147.4	138.1	131.9	3.3	36.2	61.0
	B35	111.0	166.5	157.2	151.0	3.5	40.7	68.7
	B38	120.3	180.4	171.1	164.9	3.7	43.9	74.3
	B42	136.0	204.0	194.7	188.5	4.0	49.4	83.7
	B45	145.7	218.5	209.2	203.0	4.1	52.8	89.5
	B50	158.0	237.0	227.7	224.0 ¹	4.4	57.0	85.0 ¹
P3	B03	10.8	16.2	10.7	7.7	1.3	5.3	8.4
	B05	17.2	25.8	20.3	15.8	1.4	7.5	12.2
	B06	21.3	31.9	26.5	22.0	1.5	8.9	14.7
	B08	26.4	39.6	34.1	29.6	1.6	10.7	17.7
	B10	34.1	51.1	45.7	41.2	1.7	13.4	22.3
	B12	37.1	55.6	50.2	45.7	1.7	14.4	24.1
	B14	46.0	69.0	63.5	59.0	1.9	17.6	29.5
	B17	58.3	87.4	80.0	77.5	2.1	21.9	36.9
	B20	63.8	95.7	90.2	85.7	2.2	23.8	40.2
	B22	70.3	105.4	100.0	95.5	2.3	26.1	44.1
	B25	79.3	118.9	113.5	109.0	2.5	29.2	49.5
	B28	88.8	133.2	127.7	124.5 ¹	2.8	32.7	48.5 ¹
	B31	100.0	150.0	144.5	141.3 ¹	2.8	36.5	54.4 ¹

1) B28 - B31 - B50 = 210 bar max. int.

AT6EDCS



DIMENSIONS



ORDERING INFORMATION

AT6EDCS - B50 - B31 - B12 - 3 - R - 00 - A - 5 - F - 01

Model	Cam Ring* l/min	Cam Ring* l/min	Cam Ring* l/min	Type of Shaft	Direction of Rotation**	Porting Combination	Design Letter	Seal Class	Mounting Support	Mounting with Connection Variables
AT6EDCS	B42 198.5	B14 71.4	B03 16.2	1 keyed (G45N-ISO 3019-2)	R Clockwise	00 Standard	A	1 S1 (mineral oil)	F Standard	00 P3 = 1"
	B45 213.6	B17 87.3	B05 25.8	2 keyed (SAE D & E)	L Counter-clockwise			5 S5 (mineral oil and fire resistant fluids)		01 P3 = 3/4"
	B50 237.7	B20 99.0	B06 31.9	3 splined (SAE D & E)						
	B52 247.2	B24 119.3	B08 39.6							
	B62 295.0	B28 134.5	B10 51.1							
	B66 319.9	B31 147.4	B12 55.6							
	B72 340.6	B35 166.5	B14 69.0							
		B38 180.4	B17 87.4							
		B42 204.0	B20 95.7							
		B45 218.5	B22 105.4							
		B50 237.0	B25 118.9							
			B28 133.2							
			B31 150.0							

*Delivery at 0 bar & 1500 rpm

**View on shaft end

***See page 22 for more porting combinations