



AT6DM

FEATURES

- SAE C frame size single vane pump utilizes the same body for all displacements.
- Available flow rates from 71 L/m through 237 L/m
- 2 keyed and 2 splined shaft options.
- 4 different inlet/outlet mounting combinations for ease of installation.
- 2" SAE 4 bolt suction flange / 1 1/4" SAE 4 bolt pressure flange



OPERATING CHARACTERISTICS

Model	Volumetric Displacement V _p	Speed	Flow q _{v0} [l/min]			Input power P[kW]		
	cc		rpm	p = 0 bar	p = 140 bar	p = 240 bar	p = 7 bar	p = 140 bar
B14	47.6	1000	47.6	38.3	32.1	1.5	12.5	20.7
		1500	71.4	62.1	55.9	2.3	18.5	30.6
B17	58.2	1000	87.3	78.0	71.8	2.5	22.2	37.0
		1500	87.3	78.0	71.8	2.5	22.2	37.0
B20	66.0	1000	66.0	56.7	50.5	1.7	16.8	28.0
		1500	99.0	89.7	83.5	2.8	24.9	41.7
B24	79.5	1000	79.5	70.2	64.0	1.9	19.9	33.4
		1500	119.3	110.0	103.8	3.0	29.6	49.8
B28	89.7	1000	89.7	80.4	74.2	2.0	22.3	37.5
		1500	134.5	125.2	119.0	3.2	33.2	55.9
B31	98.3	1000	98.3	89.0	82.8	2.1	24.3	40.9
		1500	147.4	138.1	131.9	3.3	36.2	61.0
B35	111.0	1000	111.0	101.7	95.5	2.3	27.3	46.0
		1500	166.5	157.2	151.0	3.5	40.7	68.7
B38	120.3	1000	120.3	111.0	104.8	2.4	29.4	49.8
		1500	180.4	171.1	164.9	3.7	43.9	74.3
B42 ¹	136.0	1000	136.0	126.7	120.5	2.6	33.1	56.0
		1500	204.0	194.7	188.5	4.0	49.4	83.7
B45 ¹	145.7	1000	145.7	136.4	130.2	2.7	35.3	59.9
		1500	218.5	209.2	203.0	4.1	52.8	89.5
B50 ¹	158.0	1000	158.0	148.7	145.0 ²	2.8	38.2	56.8 ²
		1500	237.0	227.7	224.0 ²	4.4	57.0	85.0 ²

Typical [24 cSt]

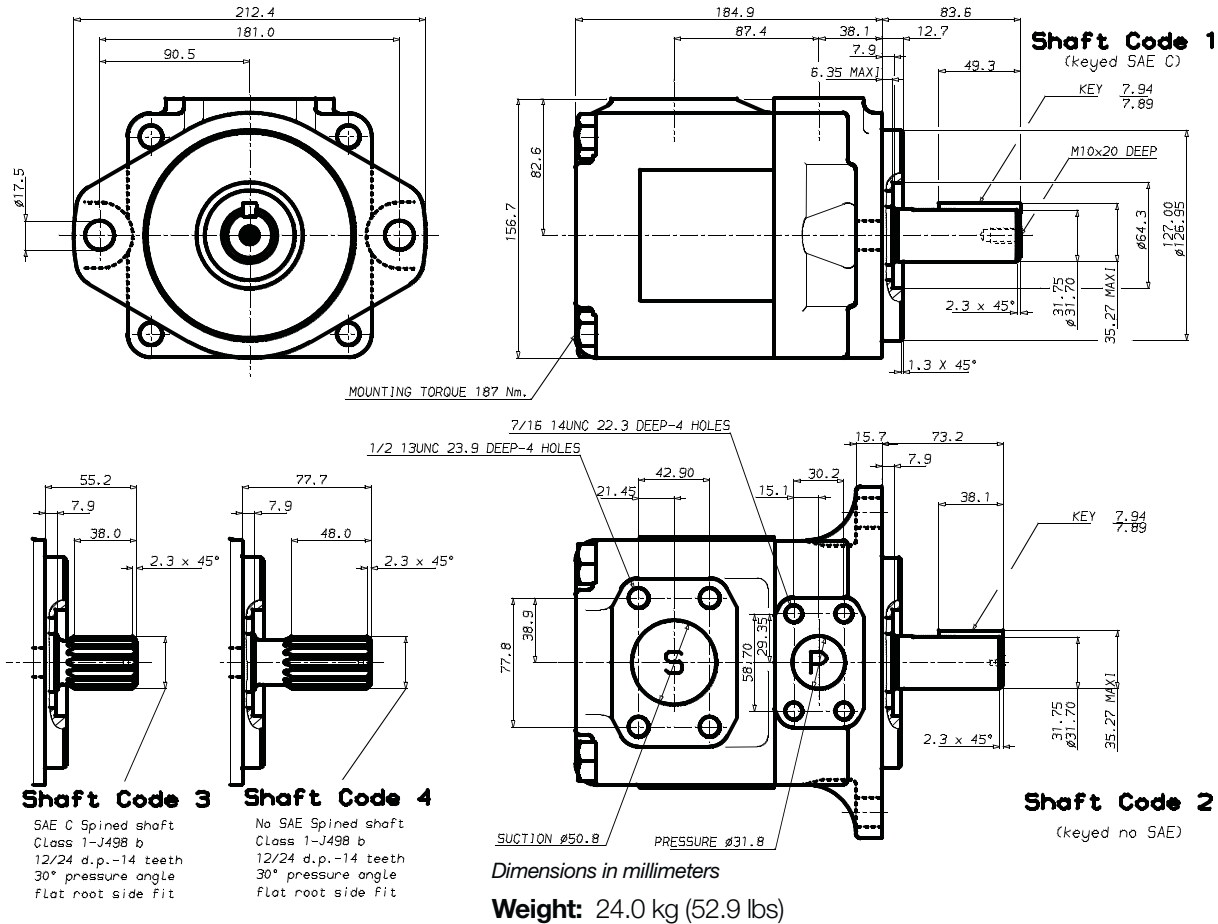
1) B25-B28-B31 = 2500 rpm max

2) B28-B31 - 210 bar max int

AT6DM



DIMENSIONS



Shaft Torque Limits (ml/rev x bar)	
Shaft	V x p max
2	34590

ORDERING INFORMATION

AT6DM	B20	4	R	00	A	5
Model	Cam Ring* l/min	Type of Shaft	Direction of Rotation**	Porting Combination	Design Letter	Seal Class
AT6DM	B14 71.4 B17 87.3 B20 99.0 B24 119.3 B28 134.5 B31 147.4 B35 166.5 B38 180.4 B42 204.0 B45 218.5 B50 237.0	1 keyed (SAE C) 2 keyed (no SAE) 3 splined (SAE C) 4 splined (no SAE)	R Clockwise L Counter-clockwise	00 Standard 01 Refer to diagram below for orientation 02 03	A	1 S1 (mineral oil) 5 S5 (mineral oil and fire resistant fluids)

Port	
P	Pressure port
S	Suction port

*Delivery at 0 bar & 1500 rpm
**View on shaft end