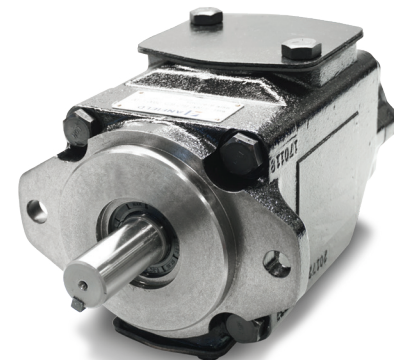




AT6DCM

FEATURES

- SAE C frame size double vane pump
- Available flow rates from 71 L/m through 237 L/m
- 2 keyed and 2 splined shaft options.
- Multiple inlet/outlet mounting combinations for ease of installation.
- Common SAE 4 bolt suction flange/ dual SAE 4 bolt outlet pressure flange



OPERATING CHARACTERISTICS

Pressure Port	Model	Volumetric Displacement V _p	Flow q _v [l/min] & n = 1500 RPM			Input power P[kW]		
		cc	p = 0 bar	p = 140 bar	p = 240 bar	p = 7 bar	p = 140 bar	p = 240 bar
P1	B14	47.6	71.4	62.1	55.9	2.3	18.5	30.6
	B17	58.2	87.3	78.0	71.8	2.5	22.2	37.0
	B20	66.0	99.0	89.7	83.5	2.8	24.9	41.7
	B24	79.5	119.3	110.0	103.8	3.0	29.6	49.8
	B28	89.7	134.5	125.2	119.0	3.2	33.2	55.9
	B31	98.3	147.4	138.1	131.9	3.3	36.2	61.0
	B35	111.0	166.5	157.2	151.0	3.5	40.7	68.7
	B38	120.3	180.4	171.1	164.9	3.7	43.9	74.3
	B42	136.0	204.0	194.7	188.5	4.0	49.4	83.7
	B45	145.7	218.5	209.2	203.0	4.1	52.8	89.5
	B50 ²	158.0	237.0	227.7	224.0 ¹	4.4	57.0	85.0 ¹
P2	B03	10.8	16.2	11.2	7.7	1.3	5.3	8.4
	B05	17.2	25.8	20.8	17.3	1.4	7.5	12.2
	B06	21.3	31.9	26.9	23.4	1.5	8.9	14.7
	B08	26.4	39.6	34.6	31.1	1.6	10.7	17.7
	B10	34.1	51.1	46.1	42.6	1.7	13.4	22.3
	B12	37.1	55.6	50.6	47.1	1.7	14.4	24.1
	B14	46.0	69.0	64.0	60.5	1.9	17.6	29.5
	B17	58.3	87.4	82.4	78.9	2.1	21.9	36.9
	B20	63.8	95.7	90.7	87.2	2.2	23.8	40.2
	B22	70.3	105.4	100.4	96.9	2.3	26.1	44.1
	B25	79.3	118.9	113.9	110.4	2.5	29.2	49.5
	B28	88.8	133.2	128.2	125.8 ¹	2.8	32.7	48.5 ¹
	B31	100.0	150.0	145.0	142.6 ¹	2.8	36.5	54.4 ¹

1) B28 - B31 - B50 = 210 bar max. int.

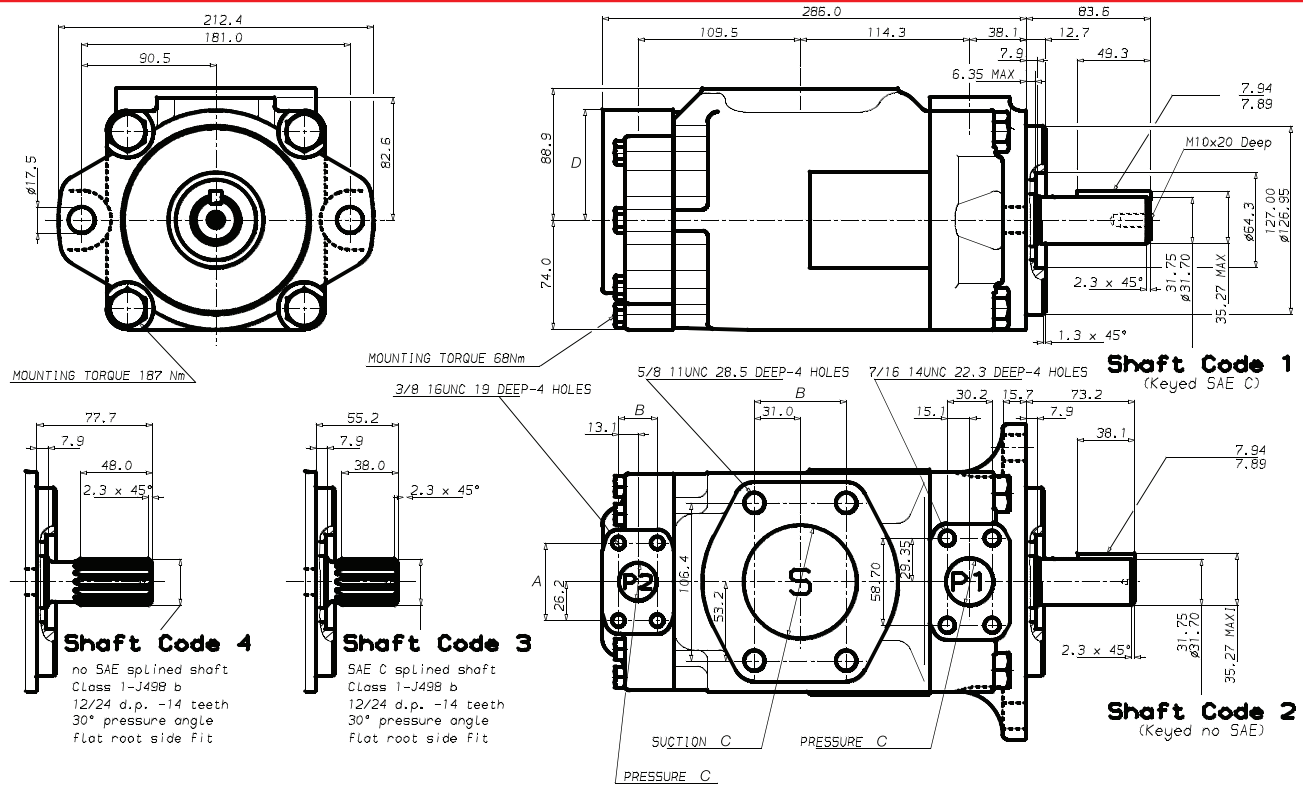
2) B42 - B45 - B50 = 2200 R.P.M. max

Port connection can be furnished with metric threads.

AT6DCM



DIMENSIONS



Dimensions in millimeters

Weight: 36.6 kg (80.7 lbs)

Porting Combinations						
Port	Size	A	B	C	D	E
P1	1-1/4"	58.7	30.2	31.8	82.6	7/16"-14 X 22.3 deep
P2	1"	52.4	26.2	25.4	74.7	3/8"-16 X 19.0 deep
P2	3/4"	47.6	22.2	19.0	74.7	3/8"-16 X 19.0 deep
S	3"	106.4	61.9	76.2	88.9	5/8"-11 X 28.4 deep

Shaft Torque Limits (ml/rev x bar)	
Shaft	V x p max P1 + P2
1	43240
2	34590
5	55600

ORDERING INFORMATION

AT6DCM	-	B31	-	B03	-	3	-	R	-	00	-	A	-	5	-	00
		P1		P2												
Model	Cam Ring* l/min	Cam Ring* l/min	Type of Shaft	Direction of Rotation**	Porting Combination***	Design Letter	Seal Class	Mounting with Connection Variables								
AT6DCM	B14 71.4 B17 87.3 B20 99.0 B24 119.3 B28 134.4 B31 147.4 B35 166.5 B38 180.4 B42 204.0 B45 218.5 B50 237.0	B03 16.2 B05 25.8 B06 31.9 B08 39.6 B10 51.1 B12 55.6 B14 69.0 B17 87.4 B20 95.7 B22 105.4 B25 118.9 B28 133.2 B31 150.0	1 keyed (SAE C) 2 keyed (No SAE) 3 splined (SAE C) 4 splined (No SAE)	R Clockwise L Counter-clockwise	00 Standard	A	1 S1 (mineral oil) 5 S5 (mineral oil and fire resistant fluids)	00 P1=1-1/4", P2=1", S=3" 01 P1=1-1/4", P2=3/4", S=3"								

*Delivery at 0 bar & 1500 rpm

**View on shaft end

***See page 22 for more porting combinations