



# AT6CM

## FEATURES

- SAE B frame size single vane pump utilizes the same body for all displacements.
- Available flow rates from 16 L/m through 150 L/m
- 2 keyed and 2 splined shaft options, including SAE BB for high torque applications
- 4 different inlet/outlet mounting combinations for ease of installation.
- 1 1/2" SAE 4 bolt suction flange / 1" SAE 4 bolt pressure flange



## OPERATING CHARACTERISTICS

Model	Volumetric Displacement V <sub>p</sub>	Speed	Flow q <sub>v</sub> [l/min]			Input power P[kW]		
	cc		rpm	p = 0 bar	p = 140 bar	p = 240 bar	p = 7 bar	p = 140 bar
B03	10.8	1000	10.8	5.8	-	1.0	3.6	-
		1500	16.2	11.2	7.7	1.3	5.3	8.4
B05	17.2	1000	17.2	12.2	8.7	1.1	5.1	8.4
		1500	25.8	20.8	17.3	1.	7.5	12.2
B06	21.3	1000	21.3	16.3	12.8	1.1	6.0	10.0
		1500	31.9	26.9	23.4	1.5	8.9	14.7
B08	26.4	1000	26.4	21.4	17.9	1.2	7.2	12.1
		1500	39.6	34.6	31.1	1.6	10.7	17.7
B10	34.1	1000	34.1	29.1	25.6	1.3	8.9	15.1
		1500	51.1	46.1	42.6	1.7	13.4	22.3
B12	37.1	1000	37.1	32.1	28.6	1.3	9.6	16.3
		1500	55.6	50.6	47.1	1.7	14.4	24.1
B14	46	1000	46.0	41.0	37.5	1.4	11.7	19.9
		1500	69.0	64.0	60.5	1.9	17.6	29.5
B17	58.3	1000	58.3	53.3	49.8	1.6	14.5	24.8
		1500	87.4	82.4	78.9	2.1	21.9	36.9
B20	63.8	1000	63.8	58.8	55.3	1.6	15.8	27.0
		1500	95.7	90.7	87.2	2.2	23.8	40.2
B22	70.3	1000	70.3	65.3	61.8	1.7	17.3	29.6
		1500	105.4	100.4	96.9	2.3	26.1	44.1
B25	79.3	1000	79.3	74.3	70.8	1.8	19.3	33.2
		1500	118.9	113.9	110.4	2.5	29.2	49.5
B28	88.8	1000	88.8	83.8	81.4 <sup>2</sup>	1.9	21.9	32.5 <sup>2</sup>
		1500	133.2	128.2	125.8 <sup>2</sup>	2.8	32.7	48.5 <sup>2</sup>
B31	100	1000	100.0	95.0	92.6 <sup>2</sup>	2.0	24.4	36.4 <sup>2</sup>
		1500	150.0	145.0	142.6 <sup>2</sup>	2.8	36.5	54.4 <sup>2</sup>

Typical [24 cSt]

1) B25-B28-B31 = 2500 rpm max

2) B28-B31 - 210 bar max int

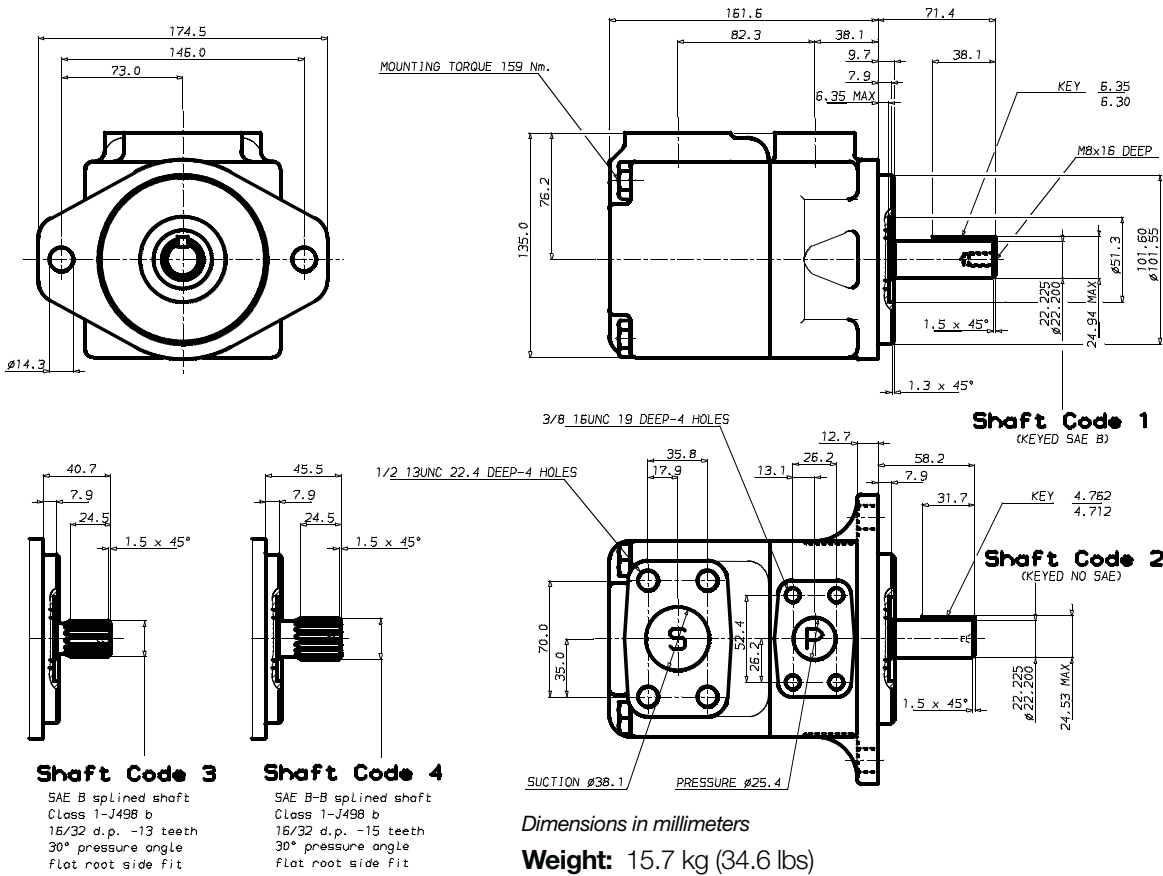
- Not to use because internal greater than 50% theoretical flow

- Port connection can be furnished with metric threads

# AT6CM



## DIMENSIONS



Shaft Torque Limits (ml/rev x bar)	
Shaft	V x p max
1	16500
2	14300
3	20600

## ORDERING INFORMATION

<b>AT6CM</b>	-	<b>B08</b>	-	<b>2</b>	-	<b>R</b>	-	<b>00</b>	-	<b>A</b>	-	<b>1</b>
<b>Model</b>		<b>Cam Ring* l/min</b>		<b>Type of Shaft</b>		<b>Direction of Rotation**</b>		<b>Porting Combination</b>		<b>Design Letter</b>		<b>Seal Class</b>
AT6CM		B03 16.2 B05 25.8 B06 31.9 B08 39.6 B10 51.1 B12 55.6 B14 69.0 B17 87.4 B20 95.7 B22 105.4 B25 118.9 B28 133.2 B31 150.0		1 keyed (SAE B) 2 keyed (no SAE) 3 splined (SAE B) 4 splined (SAE BB)		R Clockwise L Counter-clockwise		00 Standard				1 S1 (mineral oil) 5 S5 (mineral oil and fire resistant fluids)
												<b>Port</b>
												P Pressure port S Suction port

\*Delivery at 0 bar & 1500 rpm  
\*\*View on shaft end