



DESCRIPTION

The TI2C offers a digital communication (i2c) interface optimized for users in the commercial and industrial fields looking for a rugged but accurate low-power sensor. Its compact size, IP67 integrated connectors and rugged stainless steel housing makes it well suited for dependable operation in the field. Featuring EMC/EMI protections, vibration resistance and shock resistance, our transmitters can withstand adverse environments.

The i2c interface provides unparalleled sensing accuracy not seen at this price point for analog systems as it eliminates the errors added from ADCs or I/O modules. As well, this transmitter is well suited for low-power applications due its negligible power consumption (<32 μ A across full temperature range in sleep mode).

FEATURES

- Ceramic thick film sensor
- Low-power sleep mode (<32 μ A)
- Compensated range: -40°F to 257°F

APPLICATIONS

- Smart networked sensors
- Real time monitoring
- OEM hydraulic and process controls
- Plant engineering and automation

Specifications

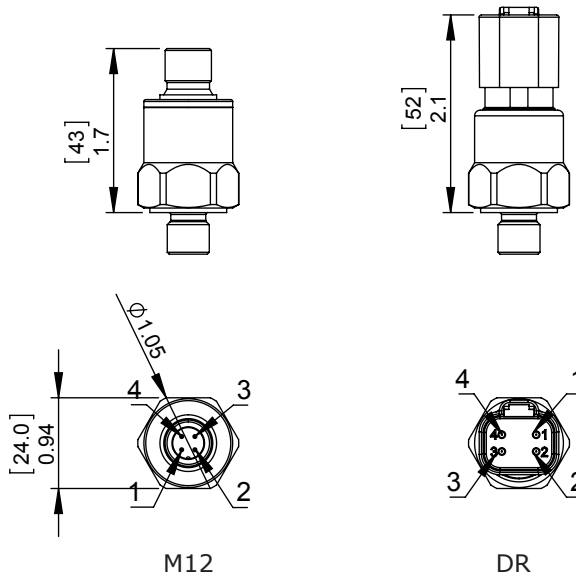
Accuracy	+/- 0.5% FS*
Full Scale Pressure Range	15 psi to 5000 psi (1 Bar to 400 Bar)
Proof Pressure	140% to 200% FS based on range (consult factory)
Burst Pressure	180% to 400% FS based on range (consult factory)
Long Term Drift	<0.3% FS @ 77°F (25°C)
Compensated Temperatures	-40°F to 257°F (-40°C to 125°C)
Operating Temperatures	-13°F to 257°F (-25°C to 125°C)
Storage Temperature Rating	-40°F to 275°F (-40°C to 135°C)
Process Connection	SS304
Wetted Materials	Ceramic Al ₂ O ₃ NBR (Standard) or Optional: FKM,HNBR,EPDM
Vibration	10g (20-2000Hz) for ≤ 58 PSI (4 BAR) 20g (20 - 500Hz) for ranges > 58 PSI (4 BAR)
Shock	50g (11ms)
Supply Voltage	3.3V update mode, 5V update mode, 3.3V sleep mode, 5V sleep mode
Current Consumption	3 mA maximum
Protection	Short Circuit, Reverse Polarity Protection
Response Time	≤5ms
Ingress Protection	IP67
Compliance	IEC/EN 61000-4-3(2006) IEC/EN 61000-4-4(2004) IEC/EN 61000-4-5(2005) IEC/EN 61000-4-6(2006) ROHS
Weight	0.15 lbs (0.07kg)

* Accuracy includes:
Non-repeatability
Hysteresis
Terminal-based on linearity

TI2C



Dimensions



Connector	Output			
	VCC	SCL	SDA	GND
M12	1	2	4	3
DR	1	2	3	4

Ordering Information

TI2C - 1 0150P - 2 G - 3 1 - 4 M12 - 5 4M - 6 N - 7 T1 - 8 (Optional) SR

Model:	Pressure Range:	Reference:	Configuration:	Electrical Connection:	Process Connection:	Seal Material:	Accuracy:	Options:
TI2C	0015P - 15 PSI 0030P - 30 PSI 0100P - 100 PSI 0150P - 150 PSI 0300P - 300 PSI 0400P - 400 PSI 0600P - 600 PSI 1000P - 1000 PSI 1500P - 1500 PSI 3000P - 3000 PSI 5000P - 5000 PSI 001B - 1 BAR 002B - 2 BAR 005B - 5 BAR 010B - 10 BAR 020B - 20 BAR 050B - 50 BAR 100B - 100 BAR 200B - 200 BAR 400B - 400 BAR	A - Absolute (15 psi to 1000 psi) G - Gauge (15 psi to 1000 psi) S - Sealed (7.5 psi to 5000 psi)	1 - I ² C - 3.3V update mode 2 - I ² C - 5.0V update mode 3 - I ² C - 3.3V sleep mode 4 - I ² C - 5.0V sleep mode	M12 - M12, 4 pin DR - Deutsch Receptacle DT04-4P	2M - 1/8" NPT male 4M - 1/4" NPT male 4G - 1/4" BSPP male, G1/4, Type E 4S - 7/16-20 SAE male, with O-ring seal 6S - 9/16-19 SAE male, with O-ring seal	N - NBR (Standard) V - VITON® H - HNBR E - EPDM	T1 - +/- 0.5% FS SR - Snubber	*Other material and options available upon request. Custom design available. Please consult factory.