



DESCRIPTION

The S6TAF and S8TAF model series are bimetallic temperature switches. The S6TAF series features a large temperature differential and the S8TAF series features a small temperature differential. The sensing element is designed to provide rapid temperature response.

FEATURES

- High ingress protection
- Compact size
- Option of low and high differential
- No exposed potting compound

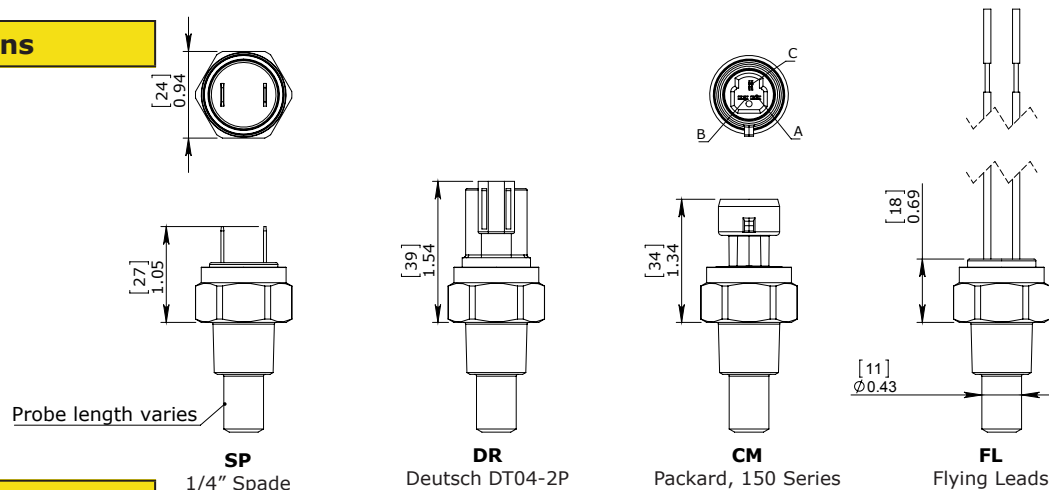
APPLICATIONS

- Coolant temperature switch/sensor
- Fan
- Oil reservoir temperature switch/sensor

Specifications

Model	S6TAF	S8TAF
Set Point Range (Factory Set)	130°F to 300°F (54°C to 150°C)	40°F to 300°F (4°C to 150°C)
Electrical	120/240 VAC - 3A Resistive 120/240 VAC - 2.5A Inductive 12/24 VDC - 3A Resistive 12/24 VDC - 2A Inductive	120/240 VAC - 3A Resistive 120/240 VAC - 2.5A Inductive 12/24 VDC - 3A Resistive 12/24 VDC - 2A Inductive
Contacts	Silver	Gold
Switch Type	Bimetal Snap Action	Bimetal Creep Action
Protection	IP67: Deutsch, Packard, Flying Lead IP65: Spade (Except exposed terminals)	IP67: Deutsch, Packard, Flying Lead IP65: Spade (Except exposed terminals)
Repeatability	+/-7°F	+/-7°F
Temperature Differential	Approximately 30% of Setpoint	Approximately <4% of Setpoint
Temperature Exposure Limit	325°F (162°C)	325°F (162°C)
Housing Material	Brass	Brass
Probe Length	5/8", 1"	5/8", 1"
Maximum Overpressure	5000 PSI (345 BAR)	5000 PSI (345 BAR)
Weight	0.11 lbs (0.05 kg)	0.11 lbs (0.05 kg)

Dimensions



Wiring Code

CONTACT	FLYING LEADS	FLWF / FLWM FLCM / FLCF / FLPM / FLPF	FLDR / FLDP	CM
COMMON	BLACK	PIN A	PIN 1	PIN A
NORMALLY CLOSED	BLACK	PIN B	PIN 2	PIN B
NORMALLY OPEN	BLACK	PIN B	PIN 2	PIN B

Ordering Information

Factory Preset

¹ **S6TAF or S8TAF** - ² **140R** - ³ **4M10** - ⁴ **A** - ⁵ **SP**

1 Model Selection:

- S6TAF** - Approximately 30% of setpoint (see Temperature Specifications Table)
- S8TAF** - Approximately <4% of setpoint (see Temperature Specifications Table)

2 - Temperature Selection - Standard available setpoints (Fahrenheit Rising):

S6TAF Model	S8TAF Model
130R	120R
140R	140R
150R	160R
160R	170R
170R	180R
180R	
190R	
200R	
220R	

-Other setpoints are available upon request. Consult factory for availability

3 - Thread Options:

Thread Description	S6TAF Model		S8TAF Model	
	5/8" Probe	1" Probe	5/8" Probe	1" Probe
1/4 NPT	4M10	4M16	4M10	4M16
3/8 NPT	6M10	6M16	6M10	6M16
1/2 NPT	8M10	8M16	8M10	8M16
1/2 BSPP	8G10	N/A	8G10	N/A
3/4-16 SAE with Viton O-ring seal	8S10	8S16	8S10	8S16

-Other Thread and Probe options are available upon request. Consult factory for availability

4 - Circuit:

- A** - SPST (Normally Open)
- B** - SPST (Normally Closed)

5 - Electrical Termination:

- SP** - 1/4" Spade
- DR** - Integrated Deutsch Receptacle (DT04-2P) - Mates with DT06-2S
- CM** - Packard, Metripack 150 Series (3 pin)
- FL** - Flying Lead 18" long, (20 AWG for S6TAF) (18 AWG for S8TAF)
- FLWF** - Flying Lead Weatherpack connector, female, 10" long leads
- FLWM** - Flying Lead Weatherpack connector, male, 10" long leads
- FLDP** - Flying Lead Deutsch connector, plug, 10" long leads
- FLDR** - Flying Lead Deutsch connector, receptacle, 10" long leads
- FLPM** - Flying Lead Metripack 280 connector, male, 10" long leads
- FLPF** - Flying Lead Metripack 280 connector, female, 10" long leads

*Other material and options available upon request. Please consult factory for details