



DESCRIPTION

This compact, simple vacuum switch is suitable for many applications. It is designed for easy installation and quick access to the set point. It is available in factory set or adjustable ranges.

FEATURES

- Gold plated silver alloy contacts
- High current ratings
- Works well with extreme temperature
- Economical

APPLICATIONS

- Vacuum generators
- Industrial automation
- Engine load monitoring

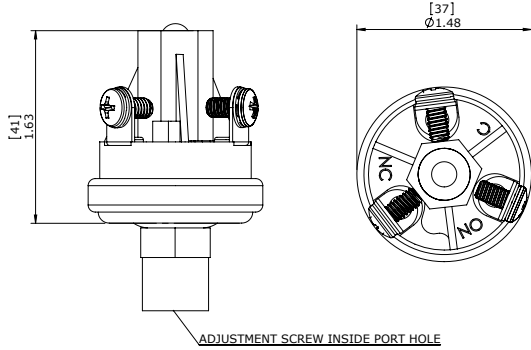
Specifications

| Electrical | Resistive | Inductive |
|--------------------------|--|-------------------|
| | 15 AMP - 6 VDC | 1 AMP - 120 VAC |
| | 8 AMP - 12 VDC | 0.5 AMP - 240 VAC |
| | 4 AMP - 24 VDC | |
| Switch Type | Blade Contact | |
| Protection | Terminals - IP00 | |
| Temperature Range | -40°F to 248°F (-40°C to 120°C) | |
| Diaphragm Material | Standard: Fluorosilicone elastomer | |
| Housing Material | Brass, Glass Reinforced Polyester (Optional 304 Stainless Steel) | |
| Maximum Operating Vacuum | 30 inHg Vacuum (1.02 BAR) | |
| Burst Pressure | 150 PSI (10.3 BAR) | |
| Weight | 0.14 lbs (0.06 kg) | |

Vacuum Range

| Model | Adjustment Range | |
|-------|------------------|-----------|
| | inHg | Millibar |
| 1 | 1.1 - 3 | 37 - 101 |
| 2 | 4 - 8 | 135 - 270 |
| 3 | 9 - 17 | 305 - 575 |
| 4 | 18 - 22 | 610 - 745 |

Dimensions



Wiring Code

| CONTACT | FLYING LEADS | FLWF / FLWM FLCM / FLCF / FLPM / FLPF | | FLDR / FLDP | |
|-----------------|--------------|--|------------|-------------|------------|
| | | SPDT MODEL | SPST MODEL | SPDT MODEL | SPST MODEL |
| | | COMMON | BLACK | PIN A | PIN A |
| NORMALLY CLOSED | BLUE | PIN C | PIN B | PIN C | PIN 2 |
| NORMALLY OPEN | RED | PIN B | PIN B | PIN B | PIN 2 |

VACUUM SWITCH

Ordering Information

Field Adjustable

SPVL - ¹2 - ²2M - ³A - ⁴SP - ^{5 (Optional)}2

Factory Preset

SPVF - ¹17F - ²2M - ³A - ⁴SP - ^{5 (Optional)}2

1 - Vacuum Selection:

Field Adjustable - Select Model Code

Insert set point value XXX followed by: R, F, MR, or MF

| Model | Adjustment Range | |
|-------|------------------|-----------|
| | inHg | Millibar |
| 1 | 1.1 - 3 | 37 - 101 |
| 2 | 4 - 8 | 135 - 270 |
| 3 | 9 - 17 | 305 - 575 |
| 4 | 18 - 22 | 610 - 745 |

OR

| Set Point | Direction | Description |
|-----------|-----------|-------------------------|
| XXXX | R | inHg Rising Vacuum |
| | F | inHg Falling Vacuum |
| | MR | Millibar Rising Vacuum |
| | MF | Millibar Falling Vacuum |

2 - Thread Options:

- 2M - 1/8 NPT male
- 4M - 1/4 NPT male
- 2G - 1/8 BSPP male, G1/8
- 4G - 1/4 BSPP male, G1/4

3 - Circuit:

- A - SPST (Normally Open)
- B - SPST (Normally Closed)

4 - Electrical Termination:

- FL - Flying Lead 18" long, 18 AWG
- FLWF - Flying Lead Weatherpack connector, female, Tower, 10" long leads
- FLWM - Flying Lead Weatherpack connector, male, Shroud, 10" long leads
- FLDP - Flying Lead Deutsch connector, plug, 10" long leads
- FLDR - Flying Lead Deutsch connector, receptacle, 10" long leads
- FLCM - Flying Lead Metripack, male, 150 series, 10" long leads
- FLCF - Flying Lead Metripack, female, 150 series, 10" long leads
- FLPM - Flying Lead Metripack, male, 280 series, 10" long leads
- FLPF - Flying Lead Metripack, female, 280 series, 10" long leads
- SP - 1/4" Spade
- TS - Terminal Screws, #8-32

5 - Options (Omit if not required):

- 2 - EPDM Diaphragm
- 9 - 304 Stainless Steel Housing
- 20 - Seal adjustment Screw
- 30 - Rubber Boot - Removable



VACUUM SWITCH

Note: Please see page 61 for other available options