

DESCRIPTION

- AP-HL is a HI/LO cast iron Hydraulic Gear Pump with a max pressure of 900 psi for the low pressure pump and 3000 psi for the high pressure pump. The change from LO to HI pressure is automatic with the LO side pressure pre set from 400 psi to 900 psi. The HI/LO section of the pump and the end plates are cast iron. Applications for the HI/LO pump are log splitters, presses etc. where rapid movement of the cylinder at low pressure is required prior to automatically switching to the high pressure mode to meet load requirements.



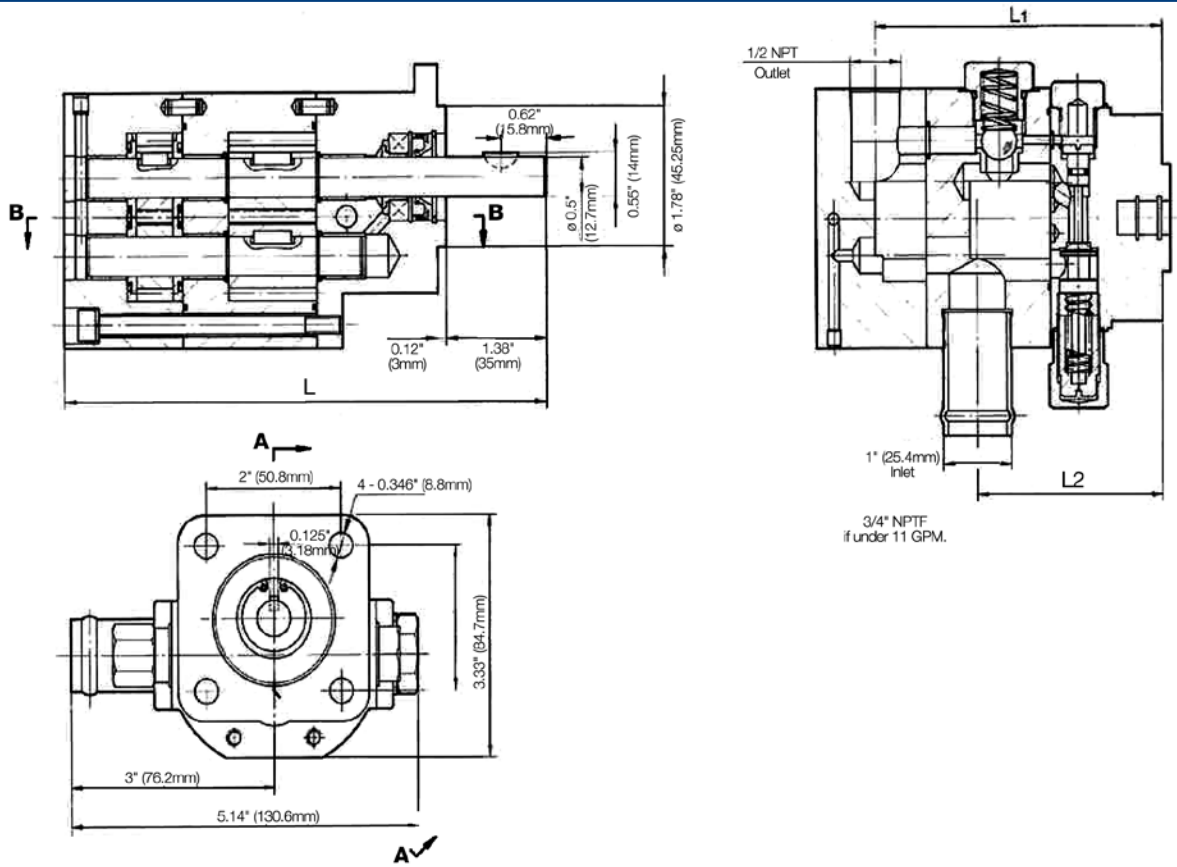
TECHNICAL DATA

- Filtration: 25 micron or better
- Oil Viscosity: 20 mm²/s - 100mm²/s
- Inlet Pressure: 12 to 32 psi absolute
- Temperature: Oil: -25°C to 80°C / -12°F to 175°F
Ambient: -22°C to 55°C / -8°F to 130°F
- Port Sizes: Inlet: 1" pipe (8-16 GPM)
Outlet: 1/2" NPT
Different port options available upon request
- Shaft: 1/2 straight shaft with #404 woodruff key (8-10GPM)

Model	Input HP	Flow GPM	Pressure PSI		Displacement cu.in/rev		Speed RPM
		3600r/min	LO	HI	LO	HI	Max.
AP-HL-8.0	5	8	400/900	3000	0.385	0.13	3600
AP-HL-11	6	11	400/900	3000	0.537	0.220	3600
AP-HL-13	7	13	400/900	3000	0.665	0.220	3600
AP-HL-16	8	16	400/900	3000	0.793	0.265	3600

- More displacements available upon request.

INSTALLATION DATA

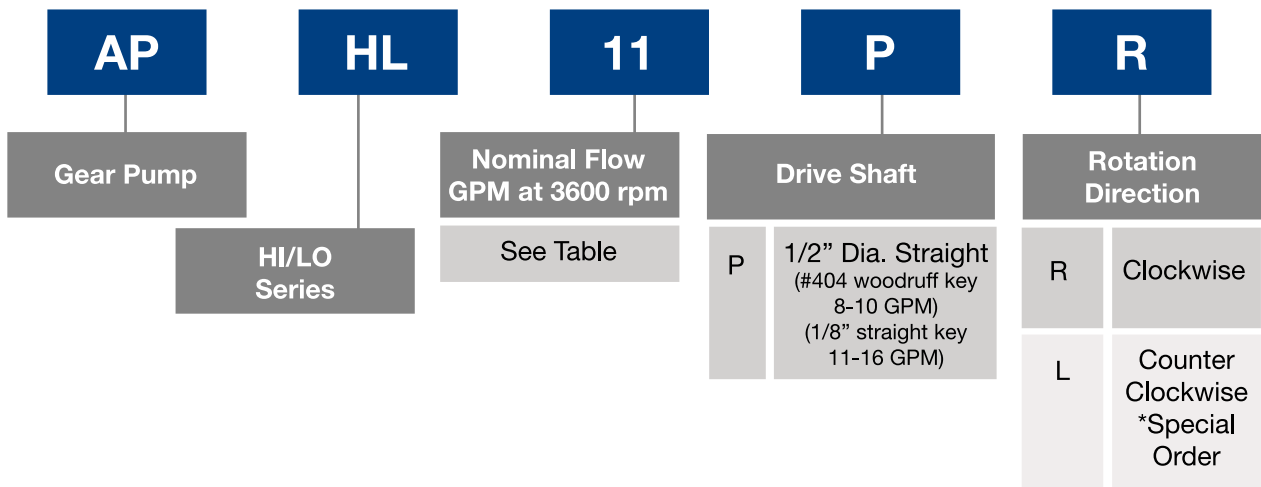


Model	L		L1		L2	
	mm	inch	mm	inch	mm	inch
HL-8	154	6.07	9.5	3.74	6	2.41
HL-11	168	6.61	11	4.24	7	2.74

Model	L		L1		L2	
	mm	inch	mm	inch	mm	inch
HL-13	175	6.90	12	4.53	8	3.04
HL-16	180	7.09	12	4.53	8	3.04

ORDERING INFORMATION

■ See next page for 22 and 28 GPM.



■ Please contact Anfield for more options.

Viewed from drive shaft end

DESCRIPTION

- The AP-HFL series is a Hi/Lo gear pump that offer the same functionality as the AP-HL series but with flows up to 28 gpm at 3600 psi. It has a max pressure of 900 psi on the low pressure pump and 3000 psi for the high pressure pump. The standard mounting flange is a SAE-A 2 bolt.

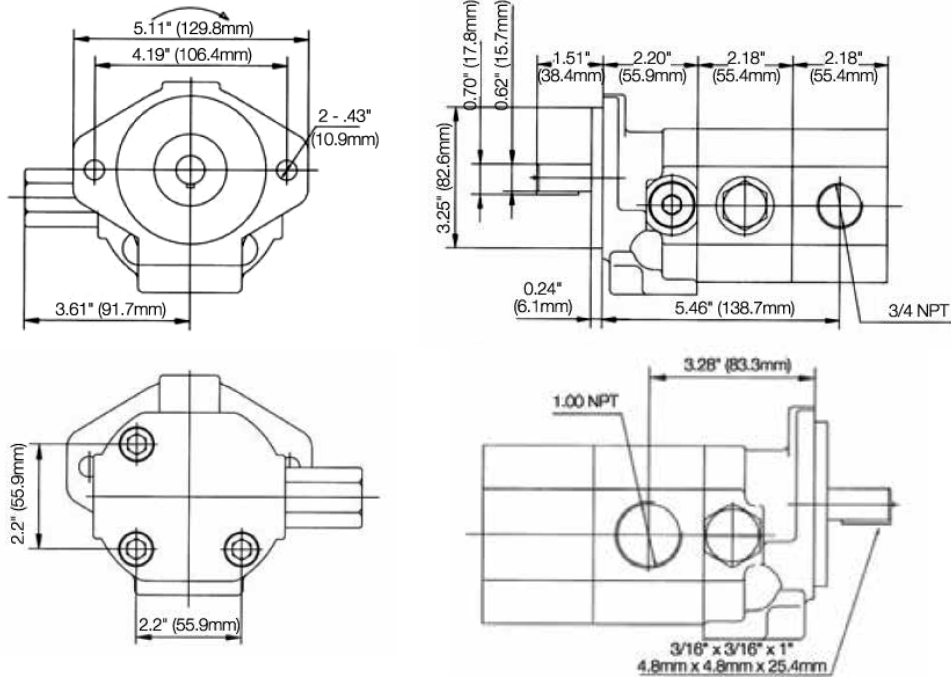


TECHNICAL DATA

- Filtration: 25 micron or better
- Oil Viscosity: 20 mm²/s - 100mm²/s
- Inlet Pressure: 12 to 32 psi absolute
- Temperature: Oil: -25°C to 80°C (-12°F to 175°F)
Ambient: -22°C to 55°C (-8°F to 130°F)
- Port Sizes: Inlet: 1" NPT
Outlet: 3/4" NPT
- Shaft: 5/8" diameter
1-1/2" length

Model	Input HP	Flow GPM	Pressure PSI		Displacement cu.in/rev		Speed RPM
		3600r/min	LO	HI	LO	HI	Max.
AP-HFL-22	12	22	400/900	3000	0.93	0.465	3600
AP-HFL-28	16	28	400/900	3000	1.395	0.465	3600

INSTALLATION DATA



- Weight: AP-HFL-22: 20 pounds
AP-HFL-28: 21 pounds

ORDERING INFORMATION

AP	HFL	28	P	R
Gear Pump	HI/LO Series	Nominal Flow GPM at 3600 rpm	Drive Shaft	Rotation Direction Viewed from drive shaft end
		See Table	P 5/8" Dia. Straight	R Clockwise L* Counter Clockwise <small>*Special Order</small>