



DESCRIPTION

The VEC series is a sight gauge level switch with an optional temperature detection. This enables an operator to be able to visually identify the liquid level, provide an electrical signal for low level fluid detection as well as monitor the temperature in a reservoir.

FEATURES

- Compact size
- Easy to install
- Economical

APPLICATIONS

- Water tank
- Hydraulic units
- Level monitoring

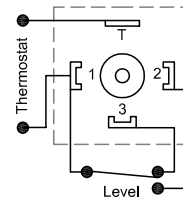
Specifications

Electrical	1A, 20W, 20 VA, 150VDC/VAC
Electrical Connection	DIN 43650 Form C, 9.4mm
Protection	IP65
Temperature Range	-4°F to 176°F (-20°C to 80°C)
Tube Material	TR 55 LX
Mounting Method	M12 Screws
Seal Material	Standard Oring: Nitrile Optional: Viton
Maximum Pressure	72.5 PSI (5 BAR)
Weight	0.47 lbs (0.23 kg)

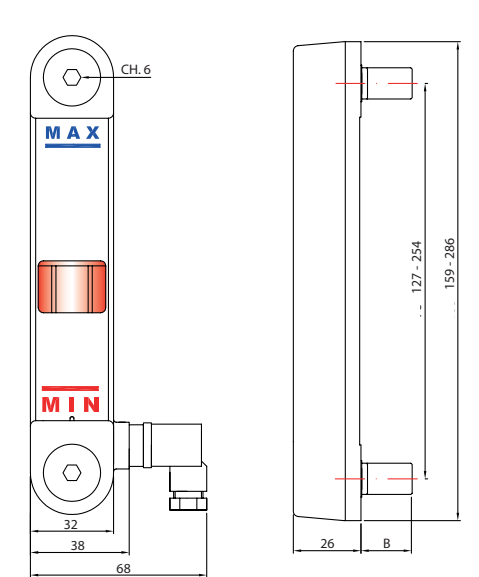
Wiring Code

CONTACT	DIN 40050
COMMON	PIN 1
NORMALLY CLOSED	PIN 3
NORMALLY OPEN	PIN 2
THERMOSTAT	Ground

- Reference to absence of fluid



Dimensions



Ordering Information

1 - Model Series

VEC - With electrical output

2 - Body Length:

127 - 127 mm
254 - 254 mm

3 - Screw Selection:

M12 - M12 x 1.75 thread, nickel plated brass

4 - Electrical Configuration for Level (Only for VEC model):

SPDT - Single Pole Double Throw

5 - Thermostat Factory set (Optional):

- BLANK** - No Thermostat
- 122NO** - 122°F (50°C), Normally Open
- 122NC** - 122°F (50°C), Normally Closed
- 140NO** - 140°F (60°C), Normally Open
- 140NC** - 140°F (60°C), Normally Closed
- 158NO** - 158°F (70°C), Normally Open
- 158NC** - 158°F (70°C), Normally Closed
- 176NO** - 176°F (80°C), Normally Open
- 176NC** - 176°F (80°C), Normally Closed

5 - Option (Omit if not required):

- 1** - Viton