

EUROPEAN INTERCHANGEABLE TEST POINT PLUGS

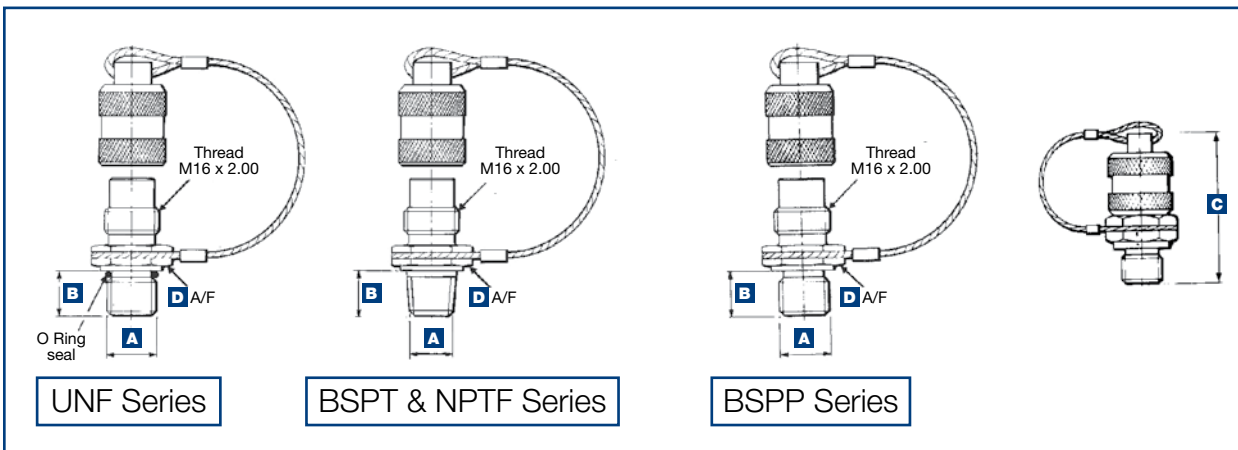
DESCRIPTION

These Test Point Plugs are designed to be complementary and interchangeable with similar equipment from other manufacturers using DIN 2353 standards. Plugs are installed into the hydraulic system hardware and are used in conjunction with DIN 2353 Pressure Test Probe equipment. The equipment is used to obtain random pressure checks during servicing and fault finding. Probes may be connected and disconnected at full system pressure without fluid loss or ingress of dirt.

TECHNICAL DATA

- Conforms to DIN 2353 standard
- Working pressure up to 6000 PSI
- UNF, NPTF (standard), BSPP, BSPT & METRIC (special order) ranges available for connecting to system.
- Manufactured in steel and passivated
- Viton seals are standard -4°F to 392°F
- Symbol: 

DIMENSIONS



| Part # | A | B | C | D | Wt |
|-------------------|--------------------|-------|-------|-------|----------|
| HSP2000-BV | 1/4" BSPP | 0.50" | 2.05" | 0.75" | 2.47 oz. |
| HSP2000-DV | 7/16" UNF (-4 SAE) | 0.36" | 1.95" | 0.67" | 2.47 oz. |
| HSP2000-EV | 9/16" UNF (-6 SAE) | 0.39" | 1.98" | 0.75" | 2.17 oz. |
| HSP2000-HV | 1/4" NPTF | 0.57" | 2.14" | 0.75" | 2.47 oz. |
| HSP2000-KV | 1/8" NPTF | 0.39" | 1.91" | 0.67" | 2.17 oz. |

DESCRIPTION

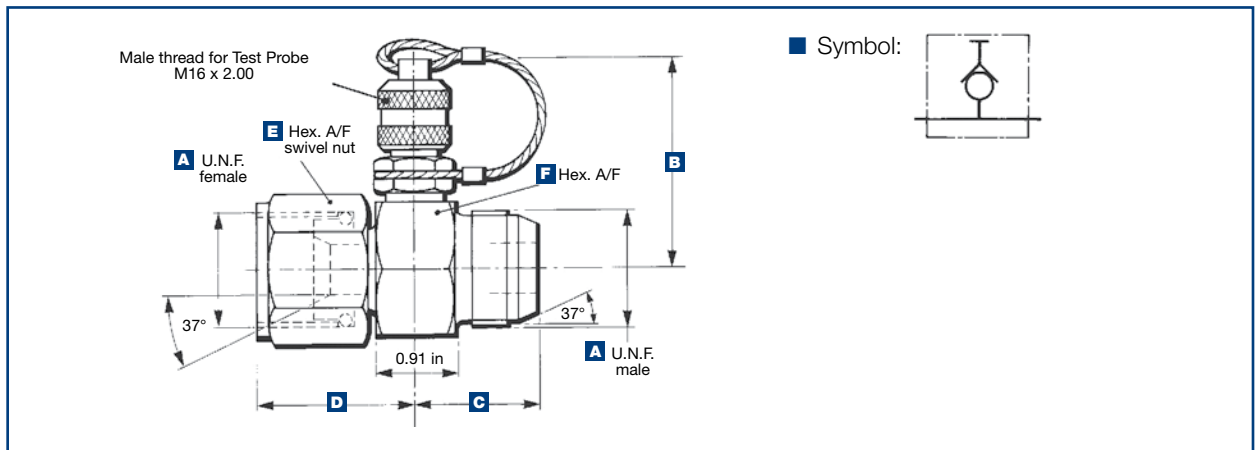
Install J.I.C. Hose Couplings between the female swivel nut of the flexible hose and the fixed male connection. The integral Test Point may then be used with Test Probes or test kits to obtain pressure or temperature checks during servicing or fault finding. The Fluid Sampling Probe is also compatible. All probes may be connected and disconnected at full system pressure without fluid loss or ingress of dirt.



TECHNICAL DATA

- Working pressure up to 6000 PSI
- Fitted with test point plug (European interchangeable)
- Can be used with direct or remote (flexible) test probes
- For J.I.C. 37° sizes: 1/4" to 1-1/2"
- Viton seals are standard -4°F to 392°F

DIMENSIONS



| Part # | Size | A (UNF Thread) | B | C | D | E | F | Wt |
|--------------|--------|----------------|-------|-------|-------|-------|-------|-----------|
| HSP1040-4MV | 1/4" | 7/16"-20 | 2.01" | 1.00" | 1.22" | 0.56" | 1.12" | 4.59 oz. |
| HSP1040-5MV | 5/16" | 1/2"-20 | 2.01" | 1.00" | 1.30" | 0.62" | 1.12" | 4.94 oz. |
| HSP1040-6MV | 3/8" | 9/16"-18 | 2.01" | 1.01" | 1.34" | 0.69" | 1.12" | 5.29 oz. |
| HSP1040-8MV | 1/2" | 3/4"-16 | 2.01" | 1.11" | 1.33" | 0.87" | 1.12" | 5.64 oz. |
| HSP1040-10MV | 5/8" | 7/8"-14 | 2.14" | 1.23" | 1.51" | 1.00" | 1.37" | 8.82 oz. |
| HSP1040-12MV | 3/4" | 1-1/16"-12 | 2.14" | 1.31" | 1.64" | 1.25" | 1.37" | 10.58 oz. |
| HSP1040-16MV | 1" | 1-5/16"-12 | 2.30" | 1.36" | 1.72" | 1.50" | 1.69" | 15.17 oz. |
| HSP1040-20MV | 1-1/4" | 1-5/8"-12 | 2.61" | 0.96" | 1.77" | 2.05" | 2.00" | 27.51 oz. |
| HSP1040-24MV | 1-1/2" | 1-7/8"-12 | 2.98" | 1.08" | 1.89" | 2.20" | 2.22" | 31.75 oz. |



DIRECT GAUGE ADAPTOR PROBE

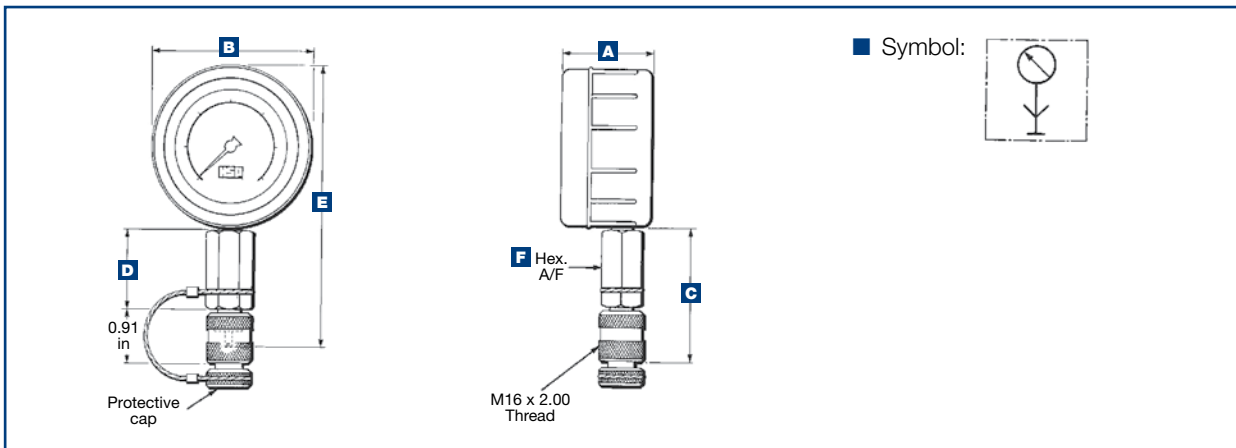
DESCRIPTION

This Direct Gauge Adaptor Probe is designed for use with Test Point Plugs or with plugs of other manufacturers to DIN 2353 standard. It may be supplied with or without a rubber shrouded pressure gauge. The probe can be attached to any one of a number of plugs installed throughout the hydraulic system to facilitate random pressure readings during servicing and fault finding. Probes may be connected or disconnected at full system pressure without loss of oil or ingress of dirt.

TECHNICAL DATA

- Conforms to DIN 2353 standard
- Working pressure up to 6000 PSI
- For use with MPG series 2-1/2" & 4" diameter glycerine filled pressure gauges
- Suitable for HSP2000 & HSP1040 series test point plugs

DIMENSIONS



| Gauge Dia. | A | B | C | D | E | F | Wt |
|------------|-------|-------|-------|-------|-------|-------|-----------|
| 2-1/2" | 1.50" | 2.95" | 2.68" | 1.44" | 5.24" | 0.75" | 12.70 oz. |
| 4" | 2.44" | 4.72" | 2.68" | 1.44" | 6.93" | 0.87" | 42.33 oz. |

- Gauges sold separately refer to Anfield's MPG series Liquid Filled Gauges.

DESCRIPTION

These Hose/Probe assemblies are designed to be complementary to and interchangeable with similar equipment from other manufacturers using DIN 2353 standards. The Hose/Probe forms the link between the DIN 2353 hydraulic system Test Point Plugs and the Pressure Gauge/Adaptor assemblies, the whole arrangement being used to obtain random pressure checks during servicing and fault finding. Probes may be connected and disconnected at full system pressure without fluid loss or ingress of dirt.

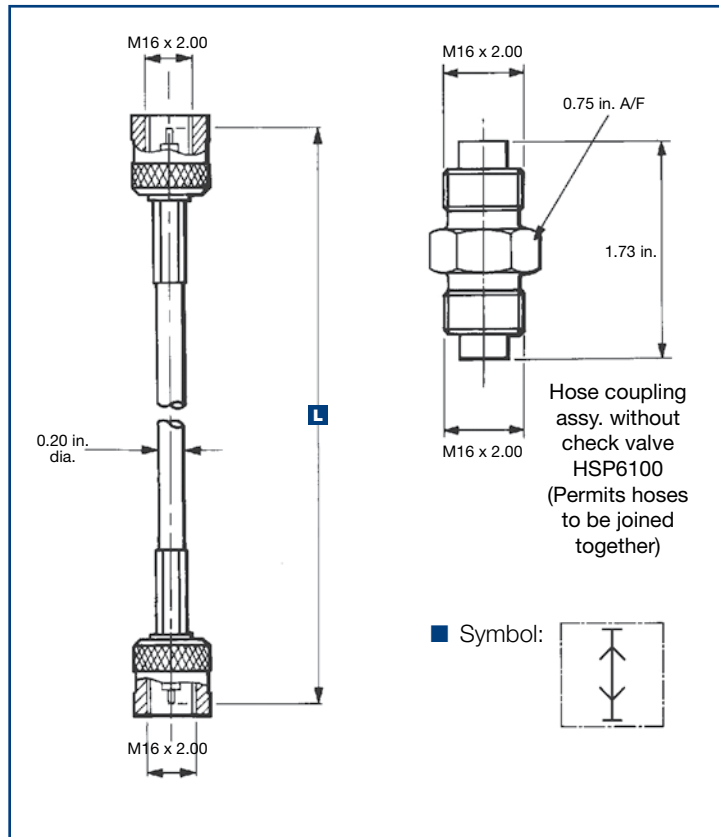


HOSE/PROBE ASSEMBLIES

TECHNICAL DATA

- Conforms to DIN 2353 standard
- Working pressure at 122°F up to 5800 PSI
- Choice of flexible hose lengths
- Steel components passivated

DIMENSIONS



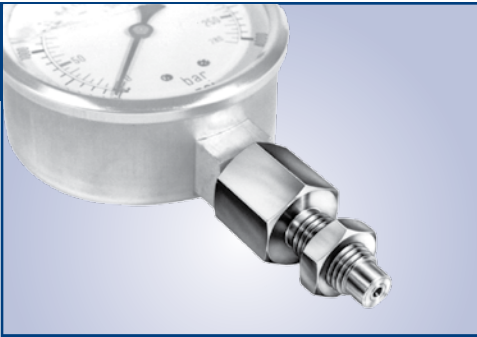
OPTIONAL HOSE LENGTHS

| Part # | Length 'L' |
|------------|---------------|
| HSP6000-12 | 12" (305mm) |
| HSP6000-24 | 24" (610mm) |
| HSP6000-36 | 36" (914mm) |
| HSP6000-48 | 48" (1219mm) |
| HSP6000-60 | 60" (1524mm) |
| HSP6000-72 | 72" (1829mm) |
| HSP6100 | Hose Coupling |

| Temperature | Max. Working Pressure |
|-------------|-----------------------|
| 122°F | 5800 PSI |
| 158°F | 5220 PSI |
| 176°F | 4930 PSI |
| 194°F | 4785 PSI |
| 212°F | 4495 PSI |
| *248°C | 3915 PSI |

* Working at 120°C only allowed for a short time.

- Note: working pressure of hose must be de-rated as temperature increases. See table above.



GAUGE TO HOSE ADAPTORS

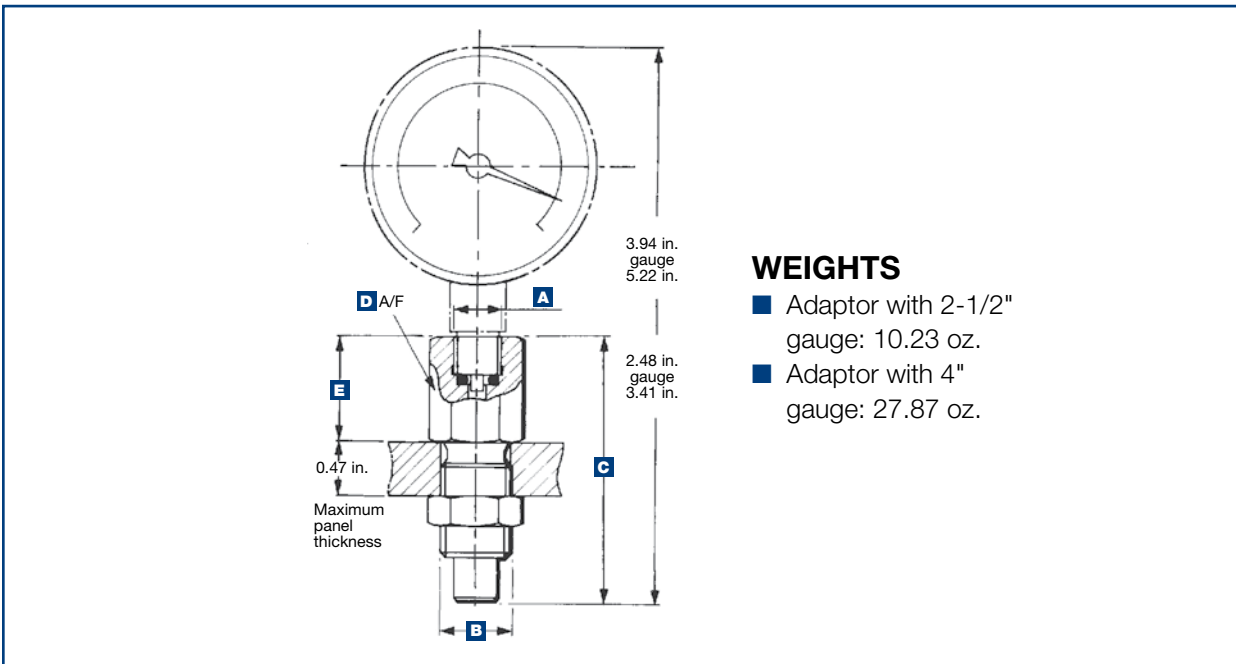
DESCRIPTION

These adaptors are designed to be complementary to and interchangeable with similar equipment from other manufacturers using DIN 2353 standards. They are used to connect the gauge to Hose/Probe assemblies. Adaptors may be bulkhead mounted in a control console or test panel, or hand held for use in servicing and fault finding to obtain pressure checks when required. Test Point Plugs installed in the hydraulic system allow connection and disconnection at full system pressure without loss of oil or ingress of dirt.

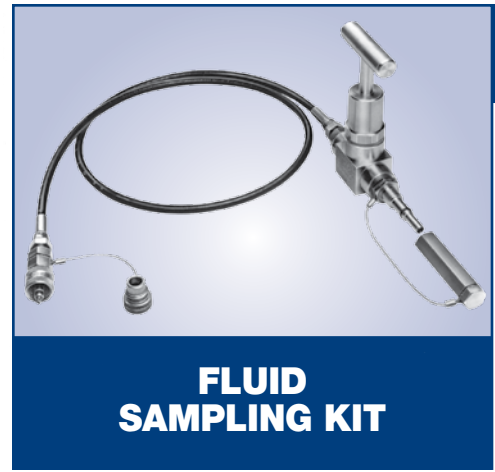
TECHNICAL DATA

- Conforms to DIN 2353 standard
- Working pressure up to 6000 PSI
- To suit 1/4" or 1/2" NPTF or SAE gauges
- For use with MPG series pressure gauge

DIMENSIONS



| Part # | A Thread | B Thread | C | D | E | Wt |
|-------------|-------------------|------------|-------|-------|-------|----------|
| HSP3000-4SV | 7/16"UNF (-4 SAE) | M16 x 2.00 | 2.28" | 0.75" | 0.94" | 2.17 oz. |
| HSP3000-6SV | 9/16"UNF (-6 SAE) | M16 x 2.00 | 2.40" | 1.06" | 1.06" | 5.29 oz. |
| HSP3000-2NV | 1/4"NPTF | M16 x 2.00 | 2.28" | 0.75" | 0.94" | 2.17 oz. |
| HSP3000-4NV | 1/2"NPTF | M16 x 2.00 | 2.40" | 1.06" | 1.06" | 5.29 oz. |



FLUID SAMPLING KIT

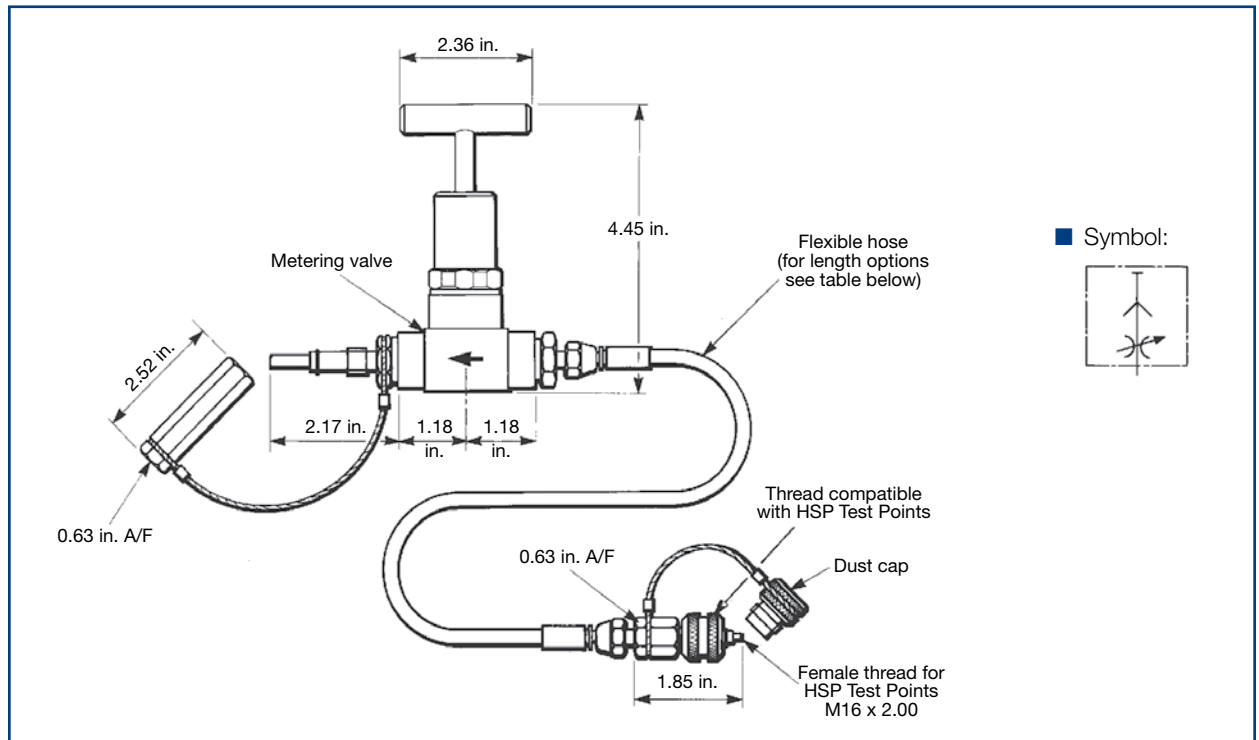
DESCRIPTION

The equipment comprises a screw on probe connected by flexible hose to an adjustable flow control valve which allows steady state fluid samples to be extracted from the working system ready for analysis. When used in conjunction with Test Point Plugs, the equipment facilitates the removal of fluid samples from selected points throughout a system without danger of extraneous contamination, even with the system at full working pressure and temperature.

TECHNICAL DATA

- Designed for off-line bottle sampling
- Adjustable flow control for steady state samples
- Operates up to 6000 PSI system pressure
- Viton seals are standard -4°F to 392°F

DIMENSIONS



| Part # | Length "L" |
|------------|---------------|
| HSP690-CMV | 40" (1000 mm) |