



MA06 - GENERAL SPECIFICATIONS

MA06 SERIES



Anfield valve model MA06 model is a 6 gpm (25 l/m) monoblock directional valve that is available from single spool through 6 spool configurations. They feature metered spools for smooth shifting and transition, built in adjustable relief valve, hardened steel spools and come standard with SAE 8 work and inlet/outlet ports. The hand levers are field adjustable for either horizontal or vertical mounting. Field convertible to utilize the power beyond plug. Stock configurations with open center, blocked center for cylinder applications or Pressure blocked, A & B to Tank center position for motor applications.

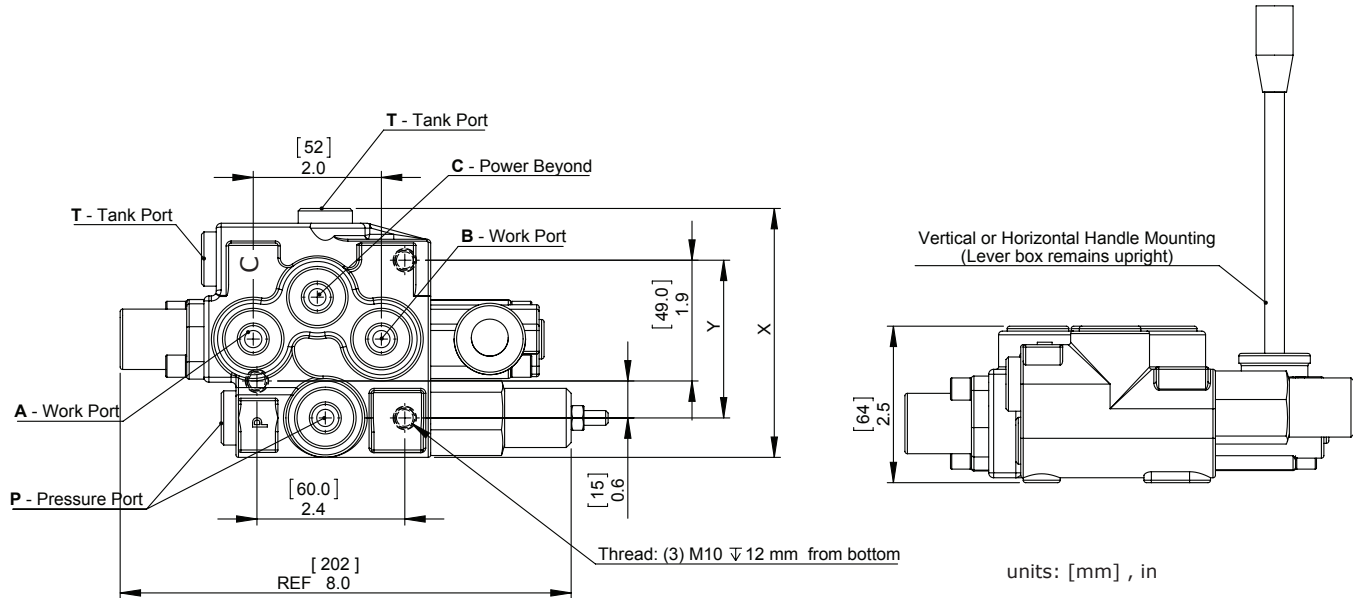
Applications:

- Agricultural
- Construction
- Mining
- Material handling equipment
- Maintenance machinery

TECHNICAL DATA

Nominal Flow Rate	6 GPM	25 L/min
Max Flow Rate	8 GPM	30 L/min
Sections Available	1 to 6 Sections	
Max. Operating Pressure	3600 psi	250 bar
Max Pressure for P port	3600 psi	250 bar
Max Pressure for A & B port	3600 psi	250 bar
Max Pressure for T port	360 psi	25 bar
Recommended Oil Viscosity Range	0.02 to 0.12 in ² /s	15 to 75 mm ² /s
Recommended Temperature Range	-40°F to 140°F	-40°C to 60°C

MA06 - DIMENSIONS



STANDARD THREADS

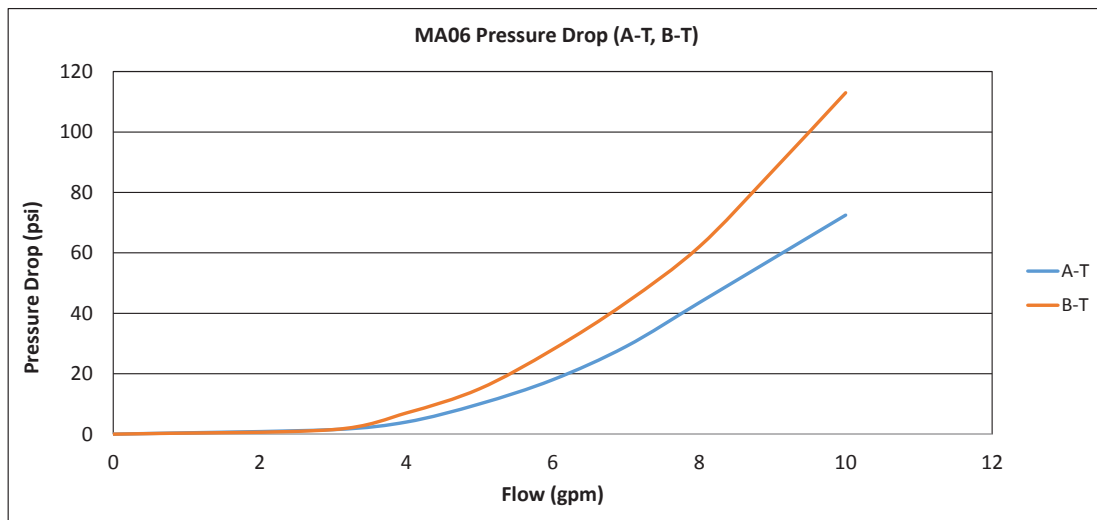
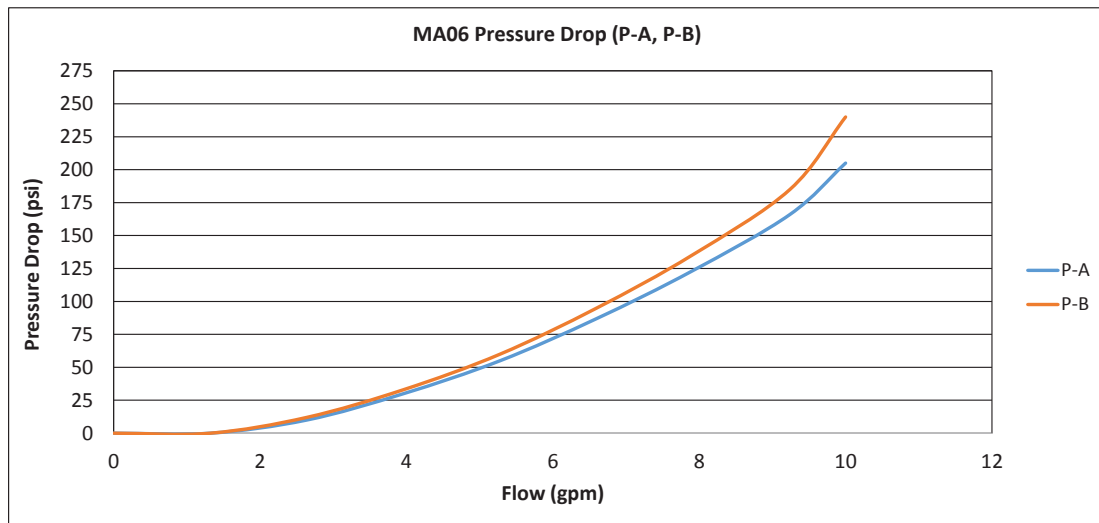
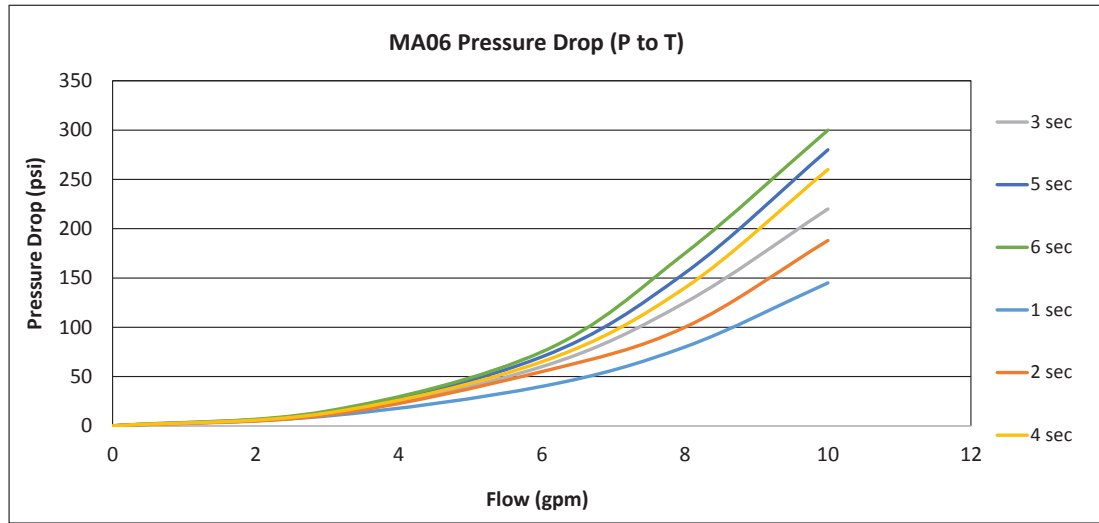
Ports	Inlet P	A and B	Outlet T	Outlet C
		9/16-18 (SAE 6)	9/16-18 (SAE 6)	9/16-18 (SAE 6)

STANDARD DIMENSIONS

Model	X		Y	
	inch	mm	inch	mm
MA06 - 1 Spool	3.9	100	2.5	64
MA06 - 2 Spool	5.2	132	3.8	96
MA06 - 3 Spool	6.5	164	5.0	128
MA06 - 4 Spool	7.7	196	6.3	160
MA06 - 5 Spool	9.0	228	7.6	192
MA06 - 6 Spool	10.3	260	8.9	224



MA06 - GENERAL SPECIFICATIONS



MA06 - ORDERING CODE



Ordering Code :

Example :

First Spool

 -

Second Spool

 - 6S - M8

MA06 - 2S - R2 - D1 - 1 - L - D2 - 1 - L - 6S - M8

1. BODY KITS :

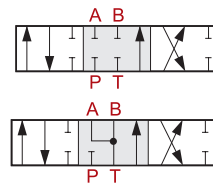
- | | |
|-----------------------|-----------------------|
| 1S - 1 Section | 4S - 4 Section |
| 2S - 2 Section | 5S - 5 Section |
| 3S - 3 Section | 6S - 6 Section |

2. INLET RELIEF:

- R2** - 40 Bar to 180 Bar (580 psi to 2610 psi), Standard Setting 80 Bar (1160 psi)
- R3** - 63 Bar to 200 Bar (914 psi to 2900 psi), Standard Setting 120 Bar (1740 psi)
- R4** - 160 Bar to 315 Bar (2320 psi to 4568 psi), Standard Setting 220 Bar (3190 psi)
- SV** Relief valve blanking plug

3. SPOOL TYPE:

- D1** - 4 Way 3 Position
A, B Closed in Neutral Position
- D2** - 4 Way 3 Position
A, B Open to Tank in neutral Position



4. A SIDE SPOOL POSITION

- 1** - 3 Position Detent
- S** - Spring Center to Neutral
- DS3** - Detent in position 1 with spring centered



5. B SIDE SPOOL POSITION

- L** - Lever Handle

6. THREAD

- 6S** - A & B Ports - 9/16-18 (SAE6)

7. OPTIONS

- M3** - No Power Beyond
- M8** - Power Beyond

*Other options available upon request